

SUPPLEMENT

TO THE

NEW ZEALAND GAZETTE

OF

THURSDAY, APRIL 14, 1904.

Published by Authority.

WELLINGTON, THURSDAY, APRIL 14, 1904.

CONTENTS.

	Page
Complete Specifications accepted	1023
Provisional Specifications accepted	1027
Letters Patent sealed	1027
Letters Patent on which Fees have been paid	1028
Subsequent Proprietors of Letters Patent registered	1028
Applications for Letters Patent abandoned	1028
Applications for Letters Patent lapsed	1028
Letters Patent void	1028
Applications for Registration of Trade Marks	1029
Trade Marks registered	1034
Trade Mark Renewal Fees paid	1034
Subsequent Proprietors of Trade Marks registered	1034
Illustrations of Inventions follow	1034
Quarterly List of Inventors	1035
Quarterly List of Inventions	1042
Quarterly List of Trade Marks Applicants	1051
Quarterly List of Designs Applicants	1053

over the frame and hinged to the flange of the frame, and a ledge around the upper edge of the cap to receive the glass, substantially as and for the purposes set forth. (2.) A skylight comprising, in combination, a frame approximately L-shaped in section and having its upper edge turned over, a cap having a combing extending over the frame and hinged to the flange of the frame, a ledge around the upper edge of the cap and having a slot along one side of the cap, a lead flashing for covering the slot, and a flashing formed by a continuation of the ledge, substantially as and for the purposes set forth. (3.) In a skylight composed of a number of sheets of glass, a bar formed by uniting the lower flanges of two adjacent frames, substantially as and for the purposes set forth. (4.) The combination and arrangement of parts comprising the improvements in skylights, substantially as and for the purposes set forth, and illustrated in the drawing. (Specification, 2s. 9d.; drawing, 1s.)

No. 16471.—4th June, 1903.—JAMES WILLIAM MULHARE, of Invercargill, New Zealand, Labourer. Improvements in water-purifiers for attachment to tanks.*

Notice of Acceptance of Complete Specifications.

Patent Office,
Wellington, 13th April, 1904.

COMPLETE specifications relating to the undermentioned applications for Letters Patent have been accepted, and are open to public inspection at this office. Any person may, at any time within two months from the date of this *Gazette*, give me notice in writing of opposition to the grant of any such patent. Such notice must set forth the particular grounds of objection, and be in duplicate. A fee of 10s. is payable thereon.

No. 16383. — 23rd May, 1903. — FREDERICK CHARLES GRIFFITHS, of New Plymouth, New Zealand, Plumber. Improvements in skylights.*

Claims.—(1.) A skylight comprising, in combination, a frame approximately L-shaped in section and having its upper edge turned over, a cap having a combing extending

Extract from Specification.—The invention consists of a settling or purifying chamber secured preferably to the side of the tank, and provided with a baffle-plate extending across its width, and inclined downwardly and outwardly towards the front of the chamber, thus dividing the chamber into two divisions. The water is delivered into the first division so as to fall on to this plate, and will pass down beneath it, up into the division on its other side, and then out through a pipe leading from such division into the tank. A screw may be fixed across the back division beneath the outlet so as to prevent any material that may have been carried up by the water passing through into the tank. Means are provided for opening a valve in the bottom of the chamber when the tank is full, so that the excess of water will not enter the tank, and for closing such valve when the water in the tank falls below a certain level.

[NOTE.—The above extract from the specification is inserted in place of the claims.] (Specification, 3s. 6d.; drawings, 1s.)

No. 16560.—24th June, 1903.—WILHELMINA ROBERTSON, of Maori Hill, Dunedin, New Zealand (executrix of the will of William Robertson, late of Maori Hill aforesaid, Settler, deceased). Improvements in flue-dampers.*

Claim.—Improvements in flue-dampers, consisting of slats pivoted in a frame adapted to be opened and closed by a sliding rod, and such that when closed each upper slat slightly overlaps the one below it, leaving a small substantially vertical opening between them, substantially as described.

(Specification, 1s. 9d.; drawing, 1s.)

No. 16726.—1st August, 1903.—WILLIAM BENJAMIN WALTERS, of Mornington, Dunedin, New Zealand, Engineer. An improved carburetter.*

Extract from Specification.—According to this invention the air or gas is led nearly to the bottom of the carburetter through a pipe furnished with a rose, which pass through the hydrocarbon contained in the carburetter. Around the cone, of which the said rose forms the base, are placed a number of spheres, preferably marbles such as are used for playing games. The air or gas passes freely through the rose and through the interstices between the marbles, during which passage it is thoroughly broken up and brought into intimate contact with the hydrocarbon. Two carburetters are preferably used, as less pressure is then necessary to force the gas or air through the hydrocarbon, and better results are obtained in enriching the air or gas.

[NOTE.—The above extract from the specification is inserted in place of the claims.]

(Specification, 2s. 6s.; drawings, 1s.)

No. 17424.—30th December, 1903.—WILLIAM ERNEST HUGHES, of Queen's Chambers, Wellington, New Zealand, Patent Agent (nominee of the British Westinghouse Electric and Manufacturing Company, Limited, of 2, Norfolk Street, Strand, London, England, Manufacturers; the assignees of Conrad Regenbogen, of Westinghouse Works, Trafford Park, Manchester, Lancaster, England). Improvements in fluid-pressure turbines.

Claims.—(1.) A fluid-pressure turbine having an annular steam-chamber, and provided with an annular and radial passage communicating therewith, having a cross-section equivalent to that of an expansion-nozzle, and means for directing the motive fluid as it issues from the said passage on to the moving blades, substantially as described. (2.) The arrangements for governing a fluid-pressure turbine, constructed and operating substantially as described with reference to Figs. 7 and 8, or to Figs. 9 and 10, or to Figs. 11 and 12, of the drawings. (3.) The construction and arrangement of the various parts of a fluid-pressure turbine, substantially as described with reference to Figs. 1 to 3, or to Figs. 4 to 6, or to Figs. 7 and 8, or to Figs. 9 and 10, or to Figs. 11 and 12, of the drawings.

(Specification, 8s.; drawings, 2s.)

No. 17589.—29th February, 1904.—ROBERT LAUDER SUTTIE, of Onehunga, Auckland, New Zealand, Farmer. Improved means for oiling the axles of road vehicles.

Claim.—For the purpose indicated, in combination, an axle-end having a longitudinal passage through its end, a hole from said passage for conducting oil to the axle-box, a spirally twisted wire within the passage, and a cap upon the axle-box, substantially as specified.

(Specification, 1s. 6d.; drawing, 1s.)

No. 17611.—3rd March, 1904.—ALFRED SPAULDING PATTERSON, of 570-576, Bourke Street, Melbourne, Victoria, Australia, General Manager of the Massey-Harris Company, Limited (nominee of Lyman Melvin Jones, Manufacturer, Robert Henry Verity, Manufacturer, and Andrew Johnston, Patternmaker, all of 915, King Street West, Toronto, Ontario, Canada). Improvements in cultivators and seeders.

Claims.—(1.) In a cultivator, the combination of the main frame, having the rear ends of its sides turned upwardly, the axle secured to the frame at the angles between the sides and the ends, and the rear cross-bar secured to the said ends, substantially as described. (2.) In a cultivator, the combination of the axle, a horizontal loop formed on or connected to the front of the axle, the tongue, a downwardly facing hook secured to the rear end of the tongue and adapted to be engaged with the aforesaid loop, and a keeper adapted to fit between the hook and the axle, substantially as described. (3.) In a cultivator, the combination of the main frame, a cultivator frame or section pivoted at its forward

end to the frame of the machine, a substantially vertical connecting-rod pivotally connected at one end to the said section, a substantially horizontal pivoted link adapted to retain the connecting-rod in its vertical position, a coil spring adapted to exert a downward pressure on the said connecting-rod, and having its line of draft out of line with the connecting-rod, and means for changing the tension of the spring, substantially as described. (4.) In a cultivator, the combination of the main frame, a cultivator frame or section pivoted at its forward end to the frame of the machine, a substantially vertical connecting-rod pivotally connected at one end to the said section, a rock-shaft, an arm on the rock-shaft, a link pivotally connected to the connecting-rod and to the said arm near the shaft, and a spring engaging the link and the said arm at or near its end, the spring being adapted to exert a downward pressure on the link, substantially as described. (5.) In a cultivator, the combination of the main frame, a cultivator frame or section pivoted at its forward end to the frame of the machine, a substantially vertical connecting-rod pivotally connected at one end to the said section, a rock-shaft, an upwardly extending arm on the rock-shaft, a link pivotally connected to the connecting-rod and to the said arm near the shaft, a guide carried by the arm at its outer end, a rod slidable in the said guide, a lug on the link with which one end of the rod is engaged, a collar on the rod adjacent to the said lug, a coil spring engaging the collar and the aforesaid guide, and lugs on the shaft adapted to engage the underside of the link to raise the same, substantially as described. (6.) In a cultivator provided with vertical movable cultivator sections and with seeding mechanism, the combination of an axle, a seeder-shaft, gearing connecting the two, means for putting said gearing into or out of action, a horizontal shaft journalled on the machine and adapted to control said means, an outwardly projecting arm on said shaft, a rock-shaft adapted to lift the cultivator sections, an arm on said shaft adapted when the sections are raised to engage the projecting arm and put the gearing out of action, a second crank arm on the controlling shaft, and a cam lever pivoted on the said arm and adapted to engage a stationary part so that the gearing may be manually controlled, substantially as described.

(Specification, 8s. 6d.; drawings, 2s.)

No. 17623.—4th March, 1904.—WILLIAM LESLIE REID HALL, of Peak Hill, Western Australia, Mine-manager. An improved grip driving-appliance for automatic ore-feeders of stamp batteries and the like.

Claims.—(1.) A grip lever as A for the purpose specified, provided with jaws a^1 and a^2 to grip the internal and external surfaces of a rim wheel as B, substantially as described and shown. (2.) A grip lever as A for the purpose specified, provided with jaws a^1 and a^2 , clearance grooves a^3 , ear a^4 , and lug a^5 , and with a hole as A^1 near its outer end, substantially as described and shown. (3.) The grip driving-appliance for the purpose specified, consisting of a grip lever as A having a hole as A^1 for connection to the bumper gear and jaws as a^1 and a^2 for gripping the rim of a disc wheel as B, with which it is combined, substantially as described and shown.

(Specification, 2s. 3d.; drawings, 1s.)

No. 17624.—5th March, 1904.—JAMES THOMAS MAINE, of Christchurch, New Zealand, Manufacturer. An improved legging-fastening.

Claim.—In a legging-fastening, loops upon the side edges of a legging, recesses in one of the loops and projections in the other loop which coincide with and fit into the recesses, and a rod which is passed down through the projections and recesses, as specified and illustrated.

(Specification, 1s. 3d.; drawings, 1s.)

No. 17626.—7th March, 1904.—JAMES PALMER CAMPBELL, of 15, Featherston Street, Wellington, New Zealand, Solicitor (nominee of George Westinghouse, of Westinghouse Building, Pittsburg, Pennsylvania, United States of America, Manufacturer). Improvements in fluid-pressure turbines.

Claims.—(1.) In a fluid-pressure turbine of single or double parallel flow type, having alternate sets of fixed vanes and moving blades, and in which the velocity of the fluid is increased by nozzles, the employment on the rotary member of the turbine of nozzles arranged in an annular group or ring, or succession of annular groups or rings, substantially as described and for the purpose specified. (2.) A fluid-pressure turbine constructed substantially as described with reference to Figs. 1 and 2, or to Figs. 3 and 4, or to Figs. 5 and 6, or to Figs. 7 and 8, of the drawings.

(Specification, 8s.; drawings, 3s.)

No. 17627.—7th March, 1904.—JAMES PALMER CAMPBELL, of 15, Featherston Street, Wellington, New Zealand, Solicitor (nominee of George Westinghouse, of Westinghouse Building, Pittsburg, Pennsylvania, United States of America, Manufacturer). Improvements in fluid-pressure turbines.

Claims.—(1.) A vertical fluid-pressure turbine so constructed that the propelling fluid enters at or near the bottom and exhausts at the top of the turbine, and that the shaft-bearing is substantially relieved from the weight of the moving parts by upward fluid pressure acting within a balancing-chamber upon the rotary member, said pressure being automatically regulated in accordance with the conditions of exhaust by a relief-valve operated by the upward movement of the rotary parts when the pressure in the balancing-chamber is excessive. (2.) The modification of the invention in which the pressure in the balancing-chamber is utilised to control a pressure-regulating valve, whereby a pressure of propelling fluid is maintained within an auxiliary balancing-chamber, in restricted communication with the first-named balancing-chamber, which pressure does not exceed by more than a predetermined amount the variable pressure of supporting fluid within the first balancing-chamber, substantially as described. (3.) In a vertical turbine of the kind described, means for adjusting the relief-valve seating independently of the adjustment of the rotating parts, for the purpose specified. (4.) A vertical fluid-pressure turbine of the kind described in which means are provided for conducting the leakage of propelling fluid to a point where its energy can be utilised, substantially as described. (5.) Means for supporting the rotating parts of a vertical fluid-pressure turbine under all conditions of exhaust, arranged and operating as described with reference to the drawings. (6.) The construction of vertical fluid-pressure turbine shown in the drawings.

(Specification, 8s. 6d.; drawings, 1s.)

No. 17628.—7th March, 1904.—JAMES PALMER CAMPBELL, of 15, Featherston Street, Wellington, New Zealand, Solicitor (nominee of George Westinghouse, of Westinghouse Building, Pittsburg, Pennsylvania, United States of America, Manufacturer). Improvements in fluid-pressure turbines.

Claims.—(1.) For a fluid-pressure turbine, an impulse or impact wheel provided with fluid-receiving passages which extend inwardly and forwardly and thence outwardly and rearwardly to one or to both side surfaces of the wheel. (2.) The modification in which the fluid-receiving passages extend forwardly at a gradually increasing depth for portions of their lengths, and thence outwardly and rearwardly to a gradually increasing area to one or both side surfaces of the wheel. (3.) A turbine-wheel constructed substantially as described and shown in Figs. 1 and 2, or in Fig. 4, of the drawings. (4.) A fluid-pressure turbine constructed substantially as described and shown in Figs. 3 and 5 of the drawings.

(Specification, 5s. 6d.; drawings, 2s.)

No. 17630.—8th March, 1904.—JAMES GRAY, of Dunedin, Otago, New Zealand, Agricultural Implement Maker and Importer. Improvements in the construction of seed-sowers.

Claims.—(1.) In seed-sowers, in combination, a hollow cylinder having grooves and rows of holes, a seed-case having an outlet near its bottom, horns upon the seed-case extending partially around the cylinder, and a removable annular band fitted into the cylinder to form a bottom for the said holes, substantially as and for the purposes set forth. (2.) In seed-sowers, an annular band fitted into the sowing cylinder, the said band forming a bottom for the holes in the cylinder, substantially as and for the purposes set forth. (3.) The combination and arrangement of parts comprising the improvements in seed-sowers, substantially as and for the purposes set forth, and illustrated upon the drawing.

(Specification, 2s. 6d.; drawings, 1s.)

No. 17633.—8th March, 1904.—CHARLOTTE FRANCES AMY SCHAEFFER, ERNEST GEORGE SCHAEFFER, and PHILIPP PAUL SCHAEFFER, trading as "Schaefer and Company," of Wellington, New Zealand, Merchants (assignees of Albert Lauer-mann, of Detmold, Germany, Manufacturer). An improved composition for the manufacture of stucco ornaments and the like.

Claim.—In the manufacture of stucco ornaments, the introduction of cotton wool into the pulpy composition of which the ornaments are made.

(Specification, 2s. 3d.)

No. 17643.—10th March, 1904.—SAMUEL WHITFIELD THACKERAY, of 118, Annandale Road, Greenwich, London, England, Patent Expert. An improved keyboard adapted for playing music at any absolute pitch, and an improved system of musical notation specially adapted for use therewith, and also adapted for other musical purposes.

Extract from Specification.—The Uniclef keyboard may be of any convenient compass, and consists of a series of keys, which preferably may be of uniform size, shape, and colour, arranged at a uniform level, thus dispensing with the ordinary short raised black keys. Each key may consist of two sections, *b*, *b'*, superposed on each other. Figs. 8 and 11 show transverse sections of this key taken on the line *a*—in those figures. The lower portions of the keys are fitted to the instrument in the ordinary manner, and are each furnished on its upper face with slotted feathers *c*, whereon the corresponding upper portion is fitted and secured by pins inserted therein transversely, so that it is free to slide either backward or forward by operating a transposing-bar *d*, which is fitted across the action of the instrument at the back part of the keyboard. By this means that part of any key which is operated on by the fingers may be made to occupy either a front position or a rear position. Such bar has a series of teeth *e* formed on its lower edge which engage with catches *f* fitted to the rear ends of the upper sections. These teeth are spaced out so as to form a series of octaves of any given scale, the number of octaves being governed by the compass of the keyboard. Or, instead of making each key in two parts, it may be made integral—that is, in one piece, and not in upper and lower sections as above described. In this modification slots are substituted in place of the circular holes with which ordinary keys are provided on their undersides for the supporting pegs to take position in. The said slots must be of sufficient length to admit of the keys being slid the desired distance forward and backward, preferably about two inches.

The second part of my invention relates to the representation of music, and consists in the improved staff and representations of notes and their arrangement described and illustrated in the drawings, and specially adapted for use with the Uniclef keyboard, and for other purposes. By these improvements ledger lines, clefs, key signatures of sharps and flats, and the various chromatic and enharmonic signs, together with the different characters and devices for indicating time values of notes hitherto in use, are entirely dispensed with; and by the combined use of the Uniclef keyboard, the Uniclef staff, and the Uniclef musical notation, the ancient principle of a movable *doh* system of notation as now employed in the tonic sol-fa method for singing merely is rendered applicable to instrumental as well as to vocal music. The staff which I prefer to use may be obtained in this manner: The lines of the staff are a mere representation in miniature of some of the equidistant division lines between the keys on my Uniclef keyboard, or between the rear portions of the keys on an ordinary keyboard. These division lines are supposed to be transferred in miniature to the music-sheet, and then, if necessary, prolonged across the whole width of the paper. Horizontal lines specially distinctive are used to mark off spaces of the staff which represent intervals of an octave, corresponding to the space occupied by twelve keys on the keyboard. Thick black lines are preferable for the purpose.

[NOTE.—The above extract from the specification is inserted in place of the claims.]

(Specification, £1 4s.; drawings, 6s.)

No. 17646.—10th March, 1904.—JOSEPH THOMAS PRINCE, of Papatoitoti, Auckland, New Zealand, Blacksmith. Improvements in or relating to whiffletrees.

Extract from Specification.—According to this invention a whiffletree has a coupling or bracket at each end provided with a spike which enters a hole in the whiffletree, a shoulder butting against the end of the whiffletree, and an eyelet-hole formed in a bracket which extends along the whiffletree. The links to which the traces are attached pass through the eyelet-holes and loosely around the whiffletree. The centre bracket has an eyelet-hole for the usual drawpin and spikes for entering the whiffletree. The bracket is secured by bolts.

[NOTE.—The above extract from the specification is inserted in place of the claims.]

(Specification, 1s. 9d.; drawing, 1s.)

No. 17648.—11th March, 1904.—AXEL WILLIAM TOPFFER, of Reefton, New Zealand, Miner. Improved means for releasing runaway horses from vehicles.

Extract from Specification.—This invention provides means for releasing from a vehicle horses which have become un-

controllable and have started or have threatened to run away, and the apparatus by which this purpose is carried into effect comprises a bar capable of lateral movement by means of a spring lever operated by the driver. The bar has pintles passing through holes in jaws on the vehicle and through the trace-hooks fitting into the jaws.

[NOTE.—The above extract from the specification is inserted in place of the claims.]

(Specification, 3s.; drawings, 1s.)

No. 17658.—11th March, 1904.—OSCAR MARX SCHOLER, of 20, Mansfield Street, Glebe, near Sydney, New South Wales, Merchant. Improvements in contrivances for displaying pictures, signs, advertisements, and the like.

Claims.—(1.) The combination with a semi-transparent or composite picture, &c., as set forth, of a lamp or lamps in front of same whose light will reflect a design in said picture, &c., and a lamp or lamps at the back of same whose light transmitted through said picture, &c., will reveal another design in same, substantially as described and explained. (2.) The combination with a composite picture and lamp in front and at back, as set forth in the preceding claiming clause, of mechanism for extinguishing one series of said lamps and lighting up the other series simultaneously, substantially as described and explained. (3.) The combination and arrangement together of the mechanical and electrical integers for the purposes set forth, all forming an improved contrivance for displaying pictures, signs, advertisements, and the like, substantially as described and explained, and as illustrated in the drawing.

(Specification, 3s. 3d.; drawings, 1s.)

No. 17675.—18th March, 1904.—SIDNEY DAY, of Christchurch, New Zealand, Gentleman. Improved means for securing a broom-handle or the like in its socket.

Claim.—As a means for securing the handle of a broom or the like in its socket, a screwed bolt, formed with a broad and shallow head, that is inserted by hand into the broom-head and through the handle-end, as specified and shown.

(Specification, 1s. 3d.; drawings, 1s.)

No. 17679.—18th March, 1904.—ROBERT FERGUS SMITH, of Octagon, Dunedin, New Zealand, Oil and Colour Merchant. An improved skylight.

Claim.—A sash and combing for skylights checked or rebated as described and shown in the drawings, in combination with metal attachments, so that the glass covers the whole horizontal surface of the wood sash, and is attached to the sash by metal attachments, substantially as described and shown in drawings.

(Specification, 1s.; drawings, 1s.)

No. 17684.—22nd March, 1904.—JAMES IRVINE, of Napier, Hawke's Bay, New Zealand, Commission Agent. Improvements in the fastenings of packing-cases and the like.

Claims.—(1.) In means for securing the joints of packing-cases and the like, a plate adapted to be inserted between the faces of the joint, a hole in the plate through which the screw or nail fastening may be driven, and a slot with square sides extending longitudinally from one edge of the hole, and with which a squared portion of the nail or screw is adapted to engage, substantially as specified. (2.) In means for securing the joints of packing-cases and the like, a plate adapted to be inserted between the faces of the joint formed with downwardly projecting barbs on its under-face, a hole in the plate through which the screw or nail fastening may be driven, and a slot with square sides extending longitudinally from each side of the hole, substantially as specified.

(Specification, 2s. 6d.; drawing, 1s.)

No. 17687.—23rd March, 1904.—The Honourable CHARLES ALGERNON PARSONS, of Heaton Works, Newcastle-on-Tyne, Northumberland, England, Engineer. Improvements relating to turbines.

Extract from Specification.—My invention consists in enclosing the idle or inoperative parts of one or more turbine wheels (including in some cases the driving or operative parts when inactive) so that they are screened from the atmosphere and operating fluid, and are rotated in a relatively highly attenuated fluid, whereby the resistance to rotation of the turbine is reduced. My invention further consists in arranging the reversing-blades to

normally rotate idly within the above-mentioned highly attenuated fluid, and providing non-return valves adapted to open when the turbine is reversed and discharge the exhaust steam from the reversing-blades.

[NOTE.—The above extract from the specification is inserted in place of the claims.]

(Specification, 12s.; drawings, 5s.)

No. 17689.—23rd March, 1904.—HENRY BRIGGS, of Hasbrouck Heights, Bergen, New Jersey, United States of America, Mechanical Engineer. Improvements in heel-nailing machines.

Extract from Specification.—A feature of the invention consists in providing a heel-nailing machine with a nail-driving mechanism for driving heel-attaching nails on both sides of the heel during the same interval of time, constructed and arranged to drive the nails on each side of the heel successively. By providing such a mechanism for driving the heel-attaching nails the pressure required to drive the nails through the heel and to clinch the nails against the clinching-plate upon the inside of the shoe is greatly reduced, and at the same time the heel is prevented from being displaced upon the shoe, and is firmly pressed into contact with the sole of the shoe on both sides. Broadly considered, this feature of the invention contemplates driving the nails successively either singly or in groups, and it also contemplates driving nails upon opposite sides of the heel either simultaneously or successively. In one form of the invention specifically described the mechanism for driving the nails is constructed and arranged to successively drive groups of the heel-attaching nails containing nails upon each side of the heel, and in the other form specifically described the nail-driving mechanism is constructed and arranged to drive the nails singly and successively, and to drive nails alternately on opposite sides of the heel. The nails may, however, be driven in others ways without departing from the broad principle of the invention, which consists in driving nails successively, either singly or in groups, on one side of the heel during the interval of time in which nails are being driven successively on the opposite side of the heel. The present invention also consists in providing a heel-nailing machine with means for successively forcing the top lift upon the projecting heel-attaching nails. By applying the top lift in this manner the top lift is forced upon the heads of the nails progressively, instead of being forced upon the heads of all the nails simultaneously, and the pressure required to force the top lift into position is materially reduced. While this feature of the invention, broadly considered, contemplates any means for successively forcing the top lift upon the heel-attaching nails, it is preferably embodied in a construction adapted to impart to the top lift a series of sharp, quick blows, as it has been found that when the top lift is applied in this manner less pressure is required, and less strain is put upon the parts supporting the shoe or upon the wooden last, than when the top lift is applied by means of a gradually increasing pressure. The present invention also consists in the devices and combinations of devices described and claimed, the advantages of which will be obvious to those skilled in the art. The present invention is intended primarily as an improvement on a heel-nailing machine of well-known construction which has gone into extensive use, and which comprises a nail-block, a shoe-supporting jack upon one side of the nail-block, and a series of nail-drivers upon the other side of the nail-block, said parts being constructed and arranged to allow the nail-block to be loaded from the side on which the drivers are located. By the present invention a machine of this type is for the first time provided with means for driving the nails successively either singly or in groups. A feature of the present invention, therefore, consists in providing a heel-nailing machine of this type with means for actuating the drivers to drive the nails successively, which means, broadly considered, may be arranged to drive the nails in any desired order, and is not limited to means arranged to drive nails upon one side of the heel while the nails on the other side are being driven.

[NOTE.—The above extract from the specification is inserted in place of the claims.]

(Specification, £1 2s. 6d.; drawings, 10s.)

No. 17697.—24th March, 1904.—WILLIAM THOMAS THOMPSON, of Mahoe, Taranaki, New Zealand, Farmer. Bit for the prevention of milch cows from sucking themselves.

Claim.—A bit for the prevention of milch cows sucking themselves, comprising, in combination, a piece of hollow tubing as shown in drawing, with three sets of holes punched or drilled in same, mounted upon an ordinary strap headstall. The bit is then placed in the cow's mouth;

when she attempts to suck herself the air is brought into her mouth by means of the bit, so preventing suction.
(Specification, 1s.; drawings, 1s.)

An asterisk (*) denotes the complete specification of an invention for which a provisional specification has been already lodged.

NOTE.—The cost of copying the specification and drawings has been inserted after the notice of each application. An order for a copy or copies should be accompanied by a post-office order or postal note for the cost of copying.

The date of acceptance of each application is given after the number.

Extracts from the drawings accompanying the foregoing complete specifications appear at the end of this *Gazette*.

F. WALDEGRAVE,
Registrar.

Provisional Specifications.

Patent Office,
Wellington, 13th April, 1904.

APPLICATIONS for Letters Patent, with provisional specifications, have been accepted as under:—

No. 17583.—23rd February, 1904.—THOMAS MOORE GEORGE, of Waipori, Otago, New Zealand, Miner. Improved toasting-fork.

No. 17667.—16th March, 1904.—WILLIAM TREMBATH, of Gore, Otago, New Zealand, Livery-stable Keeper. Improved cover for horses and other animals.

No. 17668.—16th March, 1904.—GIDEON HENDERSON, Jun., of Purau, Canterbury, New Zealand, Shepherd. An improved solution for killing noxious weeds.

No. 17674.—19th March, 1904.—ARTHUR JOSEPH HUTCHINSON, of 23, Hill Street, Wellington, New Zealand, Commercial Traveller. Collapsible cylinder or tube for graphophone or phonograph.

No. 17694.—23rd March, 1904.—FREDERIC JAMES SINGLE, of Gisborne, New Zealand, Blacksmith. An improved adjustable horse-shoe.

No. 17699.—25th March, 1904.—DAVID JOSEPH WILLIAMS, of Waimangaroa Junction, Nelson, New Zealand, Flax-miller. Improved apparatus for conveying flax from strippers and cleaning the same.

No. 17701.—26th March, 1904.—DECIMUS ROWE, of Wanganui, Wellington, New Zealand, Cycle Agent. An improved bicycle-pump.

No. 17702.—28th March, 1904.—JOHN VINTEN WYBORN, of Inaha, Hawera, New Zealand, Secretary Dairy Factory. Improvements in or relating to the weather-aprons of vehicles.

No. 17703.—28th March, 1904.—JOHN VINTEN WYBORN, of Inaha, Hawera, New Zealand, Secretary Dairy Factory. Improvements in or relating to rainproof garments.

No. 17705.—25th March, 1904.—JOHN WATSON ANDREW, of Otahuhu, New Zealand, Grain-merchant. A sprayer for distributing molasses into foods for cattle.

No. 17707.—28th March, 1904.—GEORGE THOMAS ADAM, of Prebbleton, New Zealand, Farmer. Improved means for securing breeching-straps to the shafts of vehicles.

No. 17708.—30th March, 1904.—JAMES SCORRAR, of Wellington, New Zealand, Chaff-cutter. Improved means for actuating wool and other presses.

No. 17709.—30th March, 1904.—JAMES SCORRAR, of Wellington, New Zealand, Chaff-cutter. Improvements in or relating to lifting-levers.

No. 17711.—26th March, 1904.—JOHN POMEROY, of Invercargill, New Zealand, Fish-curer. Improvement in milking-machines.

No. 17716.—31st March, 1904.—WILLIAM FARISH NEWMAN, of 32, Arundel Terrace, Forest Lodge, Sydney, New South Wales, Australia, Engineer. Improvements in turbines.

No. 17718.—31st March, 1904.—WILLIAM EMMANUEL NAUNTON, of 6, Rae Street, North Fitzroy, near Melbourne, Victoria, Australia, Music-teacher; and THOMAS CLARK PALMER, of 6, Rae Street, aforesaid, Electrician. A new method of printing music, and stave therefor.

No. 17722.—31st March, 1904.—ARCHIBALD McLELLAN CHISHOLM, of Spring Hills, New Zealand, Farmer. Improved means for securing the ends of machinery-beltting together.

No. 17724.—29th March, 1904.—JOHN W. MURDOCK, of 69A, King Street, Dunedin, New Zealand, Labourer. Scraper for cleaning electric-tramway lines.

No. 17725.—29th March, 1904.—ERNEST WINSER LLOYD, of Bobinawarrah, Victoria, Farmer. Improved method of and apparatus for measuring or weighing skim-milk.

No. 17726.—29th March, 1904.—FREDERICK CHRISTIAN BAGGESEN, of 82, William Street, Melbourne, Victoria, Shipping Providore. An improved box for butter and other produce.

No. 17727.—30th March, 1904.—ERNEST MOSS, of Christchurch, New Zealand, Mechanic. Improved coin-free apparatus for stamping or franking letters.

No. 17729.—30th March, 1904.—ROBERT RUTHERFORD DOUGLAS, of 91, Harbour Terrace, Dunedin, New Zealand, Engineer. A combined roller-protector for dredge-ladder elevators and suchlike.

No. 17730.—30th March, 1904.—ALFRED REGINALD HARDY, of Dunedin, New Zealand, Accountant. Improved staple.

No. 17732.—31st March, 1904.—EMILY ALEXANDER ALLAN, of Dunedin, New Zealand, Widow. Combined cake-tin and steamer.

No. 17742.—6th April, 1904.—FINDLAY MCDougALL, of Wellington, New Zealand, Labourer. An improved potato-harvester.

No. 17744.—7th April, 1904.—WILLIAM WHITLOCK, of Gisborne, Auckland, New Zealand, Labourer. An improved steam turbine motor.

No. 17745.—7th April, 1904.—CHARLES VALENTINE JENKINS, of Victoria Street, Lower Hutt, Wellington, New Zealand, Builder. An improved apparatus for producing optical effects.

No. 17750.—6th April, 1904.—PETER HARRISON, of High Street, Terang, Victoria, Australia, Saddler. Improved fastening-attachments for horse and cow rugs.

NOTE.—Provisional specifications cannot be inspected, or their contents made known by this office in any way, until the complete specifications in connection therewith have been accepted.

The date of acceptance of each application is given after the number.

F. WALDEGRAVE,
Registrar.

Letters Patent sealed.

LIST of Letters Patent sealed from the 31st March to the 13th April, 1904, inclusive:—

No. 15575.—T. Cossar, printing-machine.
No. 15747.—A. S. Pike, belt and rope tightener.
No. 15895.—A. Hosking, tellurian and selenotrope.
No. 16029.—S. G. Dickson, machine for manufacturing horse-shoes.

No. 16045.—H. Agar, height-adjusting anti-rattling window-attachment.

No. 16055.—H. E. J. Morgan, tobacco-pipe.
No. 16106.—R. McKnight, electro-magnetic separator.

No. 16372.—J. M. Macintosh, sash-fastener.
No. 16393.—R. Collins, boot-toe protector.

No. 16397.—C. V. Potter, solution for mixing paints, &c.
No. 16476.—W. C. Crump, electro-medical belt.

No. 16538.—Babcock and Wilcox, Limited, and R. A. McLaren, chain grate-stoker.

No. 16869.—J. Thomas, coupling and buffer.
No. 16987.—B. North, electricity-meter.

No. 17026.—H. J. Gilbert, treating coal in ships, &c.
No. 17041.—W. E. Hughes, alternating current Watt meter. (The British Westinghouse Electric and Manufacturing Company, Limited—F. Conrad.)

No. 17110.—W. Stock and C. D. Kennedy, spanner or wrench.

No. 17131.—E. Shaw, production of extract of coffee.
No. 17193.—Lamson Store Service Company, Limited, pneumatic-tube carrier. (C. F. R. Estienne.)

No. 17194.—Lamson Store Service Company, Limited, machine for bending tubes. (E. L. Giles.)

No. 17195.—Lamson Store Service Company, Limited, receiving terminal. (E. L. Giles.)

No. 17249.—J. Watson, shop-window frame.
No. 17266.—T. H. Alexander, valve mechanism for reciprocating-engine.

No. 17268.—W. R. Bawden, clinostat.
No. 17294.—C. L. Holm, bearing for rapidly rotating shaft.

No. 17314.—M. Pedersen, cream-separator.
No. 17316.—J. Cook, ball valve.

No. 17318.—R. E. Pennington, nut-locking spring washer.
No. 17320.—M. Ekenberg, concentrating and evaporating liquids.

No. 17327.—H. Allen, venetian-blind.
No. 17342.—L. S. V. Westrum, road-making.

No. 17343.—G. Gröndal, reducing iron-ore.
No. 17344.—G. Gröndal, magnetic separation of ores.

No. 17350.—W., T. S., W. H., and G. B. Humble, floor-crap. (G. W. M. McDonald.)

- No. 17352.—W. J. Armbruster and J. Morton, chlorination-barrel.
 No. 17353.—H. R. Worthington, compensating direct-acting engine. (W. C. Brown.)
 No. 17354.—H. R. Worthington, valve of duplex steam-engine. (W. C. Brown.)
 No. 17404.—J. P. Campbell, electric arc lamp. (The British Westinghouse Electric Manufacturing Company, Limited.)
 No. 17413.—C. Thomson, preparing and colouring photographs.
 No. 17419.—The Flameless Gaslight Company, Limited, generating vapour. (W. Hooker.)
 No. 17420.—G. H. Dunlop, excavating, &c., machinery.

F. WALDEGRAVE,
Registrar.

Letters Patent on which Fees have been paid.

[NOTE.—The dates are those of the payments.]

SECOND-TERM FEES.

- No. 12498.—J. A. Kinsella, milk-weighing can. 29th March, 1904.
 No. 12502.—R. Glendining, coat-adjustment. (D. Nable.) 29th March, 1904.
 No. 12503.—T. and C. E. Finch, scoop for cleaning cesspit. 7th April, 1904.
 No. 12512.—J. Ritchie, grate and ashpit. 6th April, 1904.
 No. 12523.—W. Andrews and A. W. Beaven, chaff-cutter. 6th April, 1904.
 No. 12550.—Moore Electrical Company, vacuum-tube lighting. (D. M. Moore.) 11th April, 1904.
 No. 12606.—J. R. and G. C. Hayward, receptacle-cover and cooking-utensil. 11th April, 1904.

THIRD-TERM FEES.

- No. 9442.—E. G. N. Salenius, manufacturing butter-churns. 6th April, 1904.
 No. 9628.—A. Raky, boring-apparatus. 5th April, 1904.

F. WALDEGRAVE,
Registrar.

Subsequent Proprietors, &c., of Letters Patent registered.

[NOTE.—The name of the patentee is given in brackets. The date is that of registration.]

No. 11493.—The British Westinghouse Electric and Manufacturing Company, Limited, a company duly formed and registered under the English Companies Acts, and having their registered office situate at Westinghouse Building, Norfolk Street, Strand, in the City of Westminster, England. Circuit-breaker. [H. P. Davis.] 28th March, 1904.

No. 11659.—The British Westinghouse Electric and Manufacturing Company, Limited, a company duly formed and registered under the English Companies Acts, and having their registered office situate at Westinghouse Building, Norfolk Street, Strand, in the City of Westminster, England. Securing core-plate in dynamo electric machinery. [G. Westinghouse and E. E. Nolan.] 28th March, 1904.

No. 16012.—The Westinghouse Brake Company, Limited, of 82, York Road, King's Cross, London, England, Manufacturers. Resistance-device. [J. T. Hunter—The Westinghouse Brake Company, Limited—G. Westinghouse.] 29th March, 1904.

F. WALDEGRAVE,
Registrar.

Applications for Letters Patent abandoned.

LIST of applications for Letters Patent, with which provisional specifications only have been filed, abandoned (*i.e.*, complete specifications not lodged) from the 31st March to the 13th April, 1904, inclusive:—

- No. 16421.—R. G. Doyle, preventing cow kicking.
 No. 16423.—L. Davie, washing crockery.
 No. 16429.—A. E. Jensen, wire-fastener.
 No. 16430.—A. E. Jensen, wire clips.

- No. 16432.—H. Ashworth, menu-holder.
 No. 16433.—C. R. McKenzie, rifle.
 No. 16437.—S. J. Wickman, laundry-stove.
 No. 16438.—S. E. Denniston, luggage-label fastener.
 No. 16439.—R. Baxter, oil-emulsion.
 No. 16440.—C. Bristow, butter-sizer.
 No. 16443.—R. Ennis, seed, &c., drill-attachment.
 No. 16444.—E. F. Wilhelm, vehicle-brake.
 No. 16446.—H. H. Denney, grains, &c., seed-feed.
 No. 16453.—C. J. Cooze, spile for beer, &c., casks.
 No. 16454.—D. McKenzie, coiler and spindle for wire-weaving machine.
 No. 16457.—H. Carlson, hobble.
 No. 16459.—N. L. Nicholson, saw-handle.
 No. 16460.—J. Dillicar, carcass-brand.
 No. 16465.—R. T. Haines, cinematograph process.
 No. 16469.—J. Coop, traversing-feeder to sheep-dip.
 No. 16472.—I. N. Watt and C. L. Watt, spark-arrester.
 No. 16473.—A. Connor, fire-escape.
 No. 16475.—T. C. Millsom, cure of deafness.
 No. 16477.—D. W. McLean, gear for belt-driving motor cycle.
 No. 16478.—W. Seavill, gate-catch.
 No. 16479.—R. H. Brooks, newspaper-vending machine.
 No. 16480.—A. R. McIntyre, yoking horses.
 No. 16481.—H. C. Brown, bedstead.
 No. 16482.—A. E. Rouse, protector frame for diving-dress.
 No. 16483.—J. T. Short, T. F. Rotheram, and J. W. Shaw, flag signal-staff for railway.
 No. 16484.—H. A. E. Kelly, creating draught in grate.
 No. 16486.—H. A. E. Kelly, adjusting shutter of register grate.
 No. 16487.—J. R. Park, secateur. (A. W. A. Barnard and W. G. Reid.)
 No. 16489.—J. R. Park, sash mover and lock. (R. N. Adams.)
 No. 16490.—W. and J. Stenhouse, spark-arrester.
 No. 16491.—J. R. Park, fish-plate. (R. N. Adams.)
 No. 16492.—S. H. Day, sheep-dipping apparatus.
 No. 16493.—W. H. H. Hollinworth, stamping machine.
 No. 16495.—J. T. Murphy, bird-trap.
 No. 16507.—R. Dunne, bottle.

F. WALDEGRAVE,
Registrar.

Applications for Letters Patent lapsed.

LIST of applications lapsed owing to Letters Patent not being sealed, from the 31st March to the 13th April, 1904, inclusive:—

- No. 15454.—T. M. Higgin, scrubber.
 No. 15477.—H. Banks, table cricket.
 No. 15480.—J. Mackie, draught-regulator for grate.

F. WALDEGRAVE,
Registrar.

Letters Patent void.

LETTERS Patent void through non-payment of renewal fees from the 31st March, to the 13th April 1904, inclusive:—

THROUGH NON-PAYMENT OF SECOND-TERM FEES.

- No. 12275.—A. D. Fraser, candle-holder. (R. Simmonds.)
 No. 12277.—The International Rotary Ring-spinning Company, spinning or twisting machine. (V. Belanger.)
 No. 12278.—E. Thomson, horse-collar.
 No. 12281.—J. A. Belk, driving-mechanism for steamship.
 No. 12289.—H. C. Jensen, stump-jack.
 No. 12293.—H. N. Bickerton and H. W. Bradley, oil and gas engines.
 No. 12298.—P. Rabbidge, telephone switch.
 No. 12303.—J. Arnaboldi, hobble for sheep, &c.

THROUGH NON-PAYMENT OF THIRD-TERM FEES.

- No. 9168.—J. Price and W. Bromley, velocipede.
 No. 9171.—M. W. Marsden, corn-product.
 No. 9176.—A. H. Telfer and D. Richardson, double door.

F. WALDEGRAVE,
Registrar.

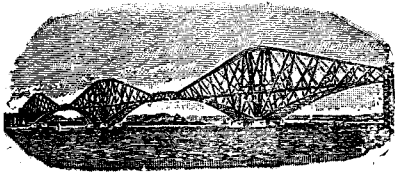
Applications for Registration of Trade Marks.

Patent Office,
Wellington, 13th April, 1904.

APPLICATIONS for registration of the following trade marks have been received. Notice of opposition to the registration of any of these applications may be lodged at this office within two months of the date of this Gazette. Such notice must be in duplicate, and accompanied by a fee of £1.

No. of application : 4536.
Date : 21st January, 1904.

TRADE MARK.



NAME.

CRAIG AND ROSE, LIMITED, of British Lion Wharf, Bank-side, London, England; 85, Cadogan Street, Glasgow; and 172, Leith Walk, Edinburgh, Scotland, Oil, Colour, and Varnish Manufacturers.

No. of class : 1.

Description of goods: Chemical substances used in manufactures, photography or philosophical research, and anti-corrosives.

NOTE.—This notice is reinserted on account of a mistake in the spelling of one of the names when it appeared before.

No. of application : 4550.
Date : 3rd February, 1904.

TRADE MARK.



The essential particulars of this trade mark are the device of a target having thereon the word and letters "Target—H. H. & Co."; and any right to the exclusive use of the letters "H. H. & Co." is disclaimed.

NAME.

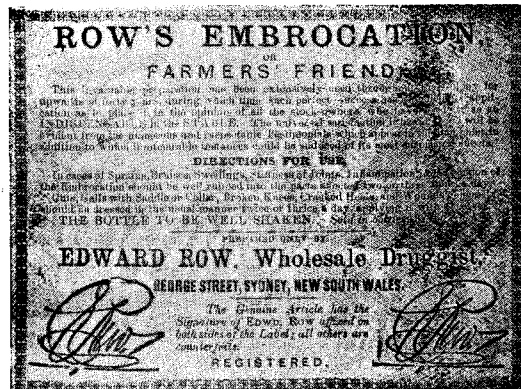
HILL, HARTRIDGE, AND Co., of Camomile Street, London, E.C., England.

No. of class : 49.

Description of goods: Fishing nets and lines.

No. of application : 4570.
Date : 17th February, 1904.

TRADE MARK.



The essential particulars of this trade mark are the distinctive label and signature; and any right to the exclusive use of the added matter, except the name and address, is disclaimed.

NAME.

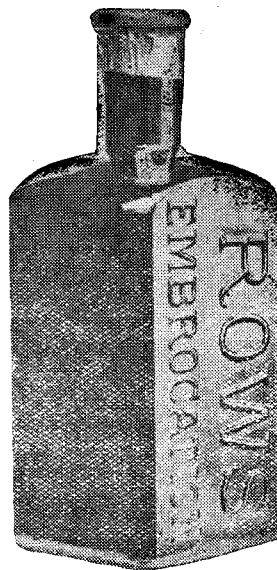
EDWARD ROW AND Co., of Sydney, New South Wales, Wholesale Druggists.

No. of class : 2.

Description of goods: Embrocation.

No. of application : 4571.
Date : 17th February, 1904.

TRADE MARK.



The applicants claim that the said trade mark has been in use by them and their predecessors in title for forty years in respect of the article mentioned.

NAME.

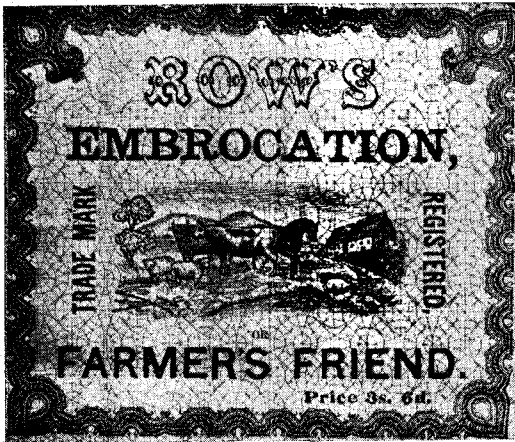
EDWARD ROW AND Co., of Sydney, New South Wales, Wholesale Druggists.

No. of class : 2.

Description of goods: Embrocation.

No. of application: 4572.
Date: 17th February, 1904.

TRADE MARK.



The essential particulars of this trade mark are the farm-yard scene and the distinctive wrapper; and any right to the exclusive use of "Farmer's Friend Embrocation, Trade Mark Registered, and Price 3s. 6d." is disclaimed.

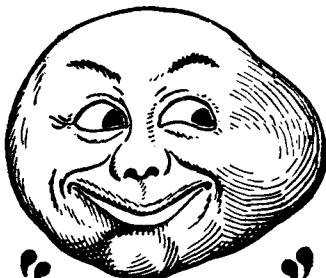
NAME.

EDWARD ROW AND Co., of Sydney, New South Wales, Wholesale Druggists.

No. of class: 2.
Description of goods: Embrocation.

No. of application: 4576.
Date: 18th February, 1904.

TRADE MARK.



"OLGON"
KILLS TOOTHACHE
WHEN OTHERS FAIL.

The essential particulars of this trade mark are the distinctive device of a face as hereinbefore set out and the invented word "Olgon"; and any right to the exclusive use of all added matter is disclaimed.

NAME.

WILLIAM J. MASON, of Pahiatus, New Zealand, Chemist.

No. of class: 3.
Description of goods: Proprietary medicines.

No. of application: 4602.
Date: 10th March, 1904.

TRADE MARK.

(The mark as in preceding notice No. 4570.)

The essential particulars of this trade mark are the distinctive label and signature; and any right to the exclusive use of the added matter, except the name and address, is disclaimed.

NAME.

EDWARD ROW AND Co., of Sydney, New South Wales, Wholesale Druggists.

No. of class: 3.
Description of goods: Embrocation.

No. of application: 4603.
Date: 10th March, 1904.

TRADE MARK.

(The mark as in preceding notice No. 4571.)

The applicants claim that the said trade mark has been in use by them and their predecessors in title in respect of the article mentioned for forty years.

NAME.

EDWARD ROW AND Co., of Sydney, New South Wales, Wholesale Druggists.

No. of class: 3.
Description of goods: Embrocation.

No. of application: 4604.
Date: 10th March, 1904.

TRADE MARK.

(The mark as in preceding notice No. 4572.)

The essential particulars of this trade mark are the farm-yard scene and distinctive wrapper; and any right to the exclusive use of "Farmer's Friend Embrocation, Trade Mark Registered, and Price 3s. 6d." is disclaimed.

NAME.

EDWARD ROW AND Co., of Sydney, New South Wales, Wholesale Druggists.

No. of class: 3.
Description of goods: Embrocation.

No. of application: 4626.
Date: 22nd March, 1904.

TRADE MARK.

AUCKLAND FREEZING



COMPANY.

The essential particulars of this trade mark are the Royal Standard with the words "Auckland Freezing" [Flag]

"Company"; and any right to the exclusive use of the within-mentioned brand, excepting for frozen meat, is disclaimed.

The applicants claim that the said trade mark has been in use by them and their predecessors in the business in respect of the articles mentioned for upwards of seventeen years.

NAME.

THE AUCKLAND FREEZING COMPANY, LIMITED, Railway Wharf, Auckland, New Zealand.

No. of class: 42.

Description of goods: Frozen meat (beef, mutton, lamb, &c.).

No. of application: 4634.
Date: 28th March, 1904.

TRADE MARK.



NAME.

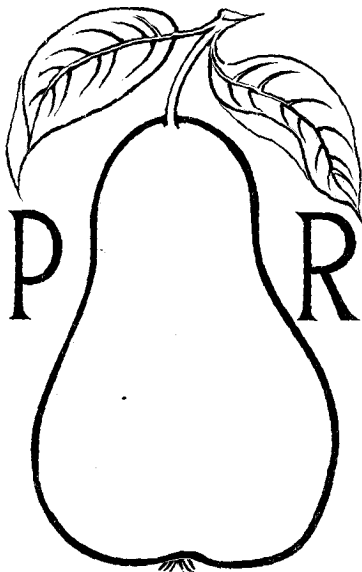
REUSS AND Co., Mazeppa Works, Sheffield, England, Cutlery Manufacturers and Merchants.

No. of class: 12.

Description of goods: Cutlery and edged tools.

No. of application: 4637.
Date: 29th March, 1904

TRADE MARK.



The essential particular of this trade mark is the sketch of a pear; and any right to the exclusive use of the letters "P R" is disclaimed.

NAME.

PEARSON AND RUTTER, LIMITED, of King Street, New Plymouth, in the Colony of New Zealand, Butter and Cheese Merchants.

No. of class: 42.

Description of goods: Poultry, lard, bacon, hams, and pigs.

B

No. of application: 4638.
Date: 29th March, 1904.

TRADE MARK.

The word

KIA-ORA.

NAME.

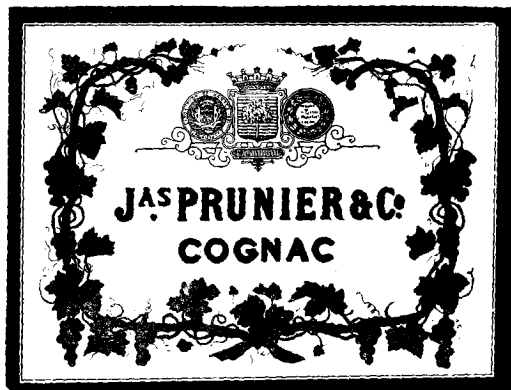
SARGOOD, SON, AND EWEN, New Zealand.

No. of class: 38.

Description of goods: Hats.

No. of application: 4639.
Date: 31st March, 1904.

TRADE MARK.



The applicants claim that the said trade mark has been used by them in respect of the article mentioned for fifteen years prior to the date of this application.

The essential particulars of the trade mark are (1) the device consisting of a shield bearing the representation of a tree and supporting a crown, said shield being supported on either side by the device of a medal; and (2) the combination of devices forming the distinctive label: and the applicants disclaim any right to the exclusive use of the added matter, save and except their name and address.

NAME.

JAMES PRUNIER AND Co., of No. 483, Collins Street, Melbourne, in the State of Victoria and Commonwealth of Australia, Importers.

No. of class: 43.

Description of goods: Cognac.

No. of application: 4642.
Date: 5th April, 1904.

TRADE MARK.

The word

VIGORIFIC.

NAME.

WILLIAM JOHN HARVEY, of Auckland, New Zealand, Herbalist.

No. of class: 3.

Description of goods: Chemical substances prepared for use in medicine and pharmacy.

No. of application : 4643.
Date : 5th April, 1904.

TRADE MARK.



The essential particulars of this trade mark are the word "Steeple" and the device of a steeple; and any right to the exclusive use of the added matter is disclaimed.

NAME.

ARTHUR MITCHELL, of Christchurch, in the Colony of New Zealand, Commercial Traveller.

No. of class : 38.
Description of goods : Boots and shoes.

No. of application : 4645.
Date : 6th April, 1904.

TRADE MARK.

The word

VIM

NAME.

LEVER BROS., LIMITED, of Balmain, State of New South Wales, Soap-manufacturers.

No. of class : 50.
Description of goods : Soap, polishing-extract, polishing-paste, and similar polishing compounds and materials for polishing or cleaning furniture, cutlery, china, glass, earthenware, metal, buildings, marble, paint, and other substances in Class 50.

No. of application : 4646.
Date : 6th April, 1904.

TRADE MARK.

The word

VIM

NAME.

LEVER BROS., LIMITED, of Balmain, State of New South Wales, Soap-manufacturers.

No. of class : 48.
Description of goods : Perfumed soap, perfumery, and glycerine for toilet purposes.

No. of application : 4647.
Date : 6th April, 1904.

TRADE MARK.

The word

VIM

NAME.

LEVER BROS., LIMITED, of Balmain, State of New South Wales, Soap-manufacturers.

No. of class : 47.

Description of goods : Common soap, soap-powders, candles, matches, starch, blue, washing-soda, detergents, and oil for illuminating, heating, or lubricating purposes.

No. of application : 4648.
Date : 6th April, 1904.

TRADE MARK.

The word

CAPITOL

NAME.

LEVER BROS., LIMITED, of Balmain, State of New South Wales, Soap-manufacturers.

No. of class : 47.

Description of goods : Common soap, soap-powders, candles, matches, starch, blue, washing-soda, detergents, and oil for illuminating, heating, or lubricating purposes.

No. of application : 4649.
Date : 6th April, 1904.

TRADE MARK.

The word

CAPITOL

NAME.

LEVER BROS., LIMITED, of Balmain, State of New South Wales, Soap-manufacturers.

No. of class : 48.

Description of goods : Perfumed soap, perfumery, and glycerine for toilet purposes.

No. of application : 4650.
Date : 6th April, 1904.

TRADE MARK.

The word

PLANTOL

NAME.

LEVER BROS., LIMITED, of Balmain, State of New South Wales, Soap-manufacturers.

No. of class : 2.

Description of goods : Deodorisers and all other goods in Class 2.

NOTE.—Class 2 is for chemical substances used for agricultural, horticultural, veterinary, and sanitary purposes.

No. of application: 4651.
Date: 6th April, 1904.

TRADE MARK.
The word
PLANTOL

NAME.
LEVER BROS., LIMITED, of Balmain, State of New South Wales, Soap-manufacturers.

No. of class: 3.
Description of goods: Medicated soaps and all other articles in Class 3.
NOTE.—Class 3 is for chemical substances prepared for use in medicine and pharmacy.

No. of application: 4652.
Date: 6th April, 1904.

TRADE MARK.
The word
PLANTOL

NAME.
LEVER BROS., LIMITED, of Balmain, State of New South Wales, Soap-manufacturers.

No. of class: 47.
Description of goods: Common soap, soap-powders, candles, matches, starch, blue, washing-soda, detergents, and oil for illuminating, heating, or lubricating purposes.

No. of application: 4653.
Date: 6th April, 1904.

TRADE MARK.
The word
PLANTOL

NAME.
LEVER BROS., LIMITED, of Balmain, State of New South Wales, Soap-manufacturers.

No. of class: 50.
Description of goods: Soap, polishing-extract, polishing-paste, and similar polishing compounds and materials for polishing or cleaning furniture, cutlery, china, glass, earthenware, metal, buildings, marble, paint, and other substances in Class 50.

No. of application: 4654.
Date: 6th April, 1904.

TRADE MARK.
The word
DIMPLE

NAME.
LEVER BROS., LIMITED, of Balmain, State of New South Wales, Soap-manufacturers.

No. of class: 47.
Description of goods: Common soap, soap-powders, candles, matches, starch, blue, washing-soda, detergents, and oil for illuminating, heating, or lubricating purposes.

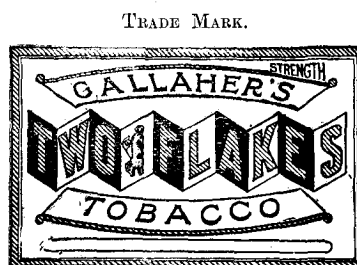
No. of application: 4655.
Date: 6th April, 1904.

TRADE MARK.
The word
DIMPLE

NAME.
LEVER BROS., LIMITED, of Balmain, State of New South Wales, Soap-manufacturers.

No. of class: 48.
Description of goods: Perfumed soap, perfumery, and glycerine for toilet purposes.

No. of application: 4658.
Date: 6th April, 1904.



The essential particulars of the trade mark are the combination of devices and the words "Two Flakes"; and the applicants disclaim any right to the exclusive use of the added matter, except in so far as it consists of their own name.

NAME.
GALLAHER, LIMITED, of 132 to 142, York Street, Belfast, Ireland, Tobacco-manufacturers.

No. of class: 45.
Description of goods: Manufactured tobacco.

No. of application: 4659.
Date: 6th April, 1904.

TRADE MARK.
The word
GOLD-MINE.

NAME.
GALLAHER, LIMITED, of 132 to 142, York Street, Belfast, Ireland, Tobacco-manufacturers.

No. of class: 45.
Description of goods: Smoking-tobacco, chewing-tobacco, cigars, cheroots, cigarettes, and snuff.

No. of application: 4660.
Date: 6th April, 1904.

TRADE MARK.
The word
COLUMBINE.

NAME.
GALLAHER, LIMITED, of 132 to 142, York Street, Belfast, Ireland, Tobacco-manufacturers.

No. of class: 45.
Description of goods: Smoking-tobacco, chewing-tobacco, cigars, cheroots, cigarettes, and snuff.

No. of application : 4661.

Date : 6th April, 1904.

TRADE MARK.

The words

GOLD PLATE.

NAME.

GALLAHER, LIMITED, of 132 to 142, York Street, Belfast, Ireland, Tobacco-manufacturers.

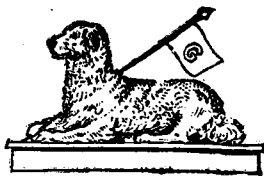
No. of class : 45.

Description of goods : Smoking-tobacco, chewing-tobacco, cigars, cheroots, cigarettes, and snuff.

No. of application : 4662.

Date : 6th April, 1904.

TRADE MARK.



NAME.

GALLAHER, LIMITED, of 132 to 142, York Street, Belfast, Ireland, Tobacco-manufacturers.

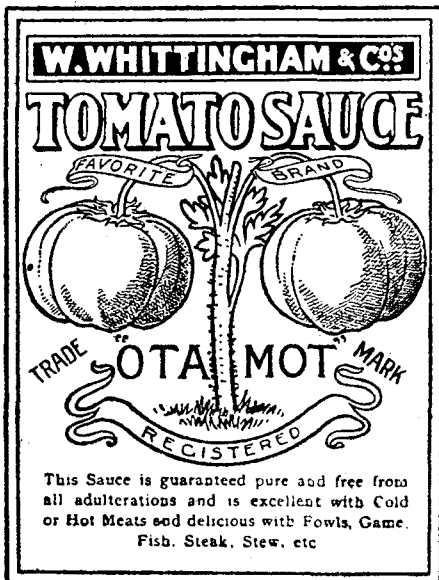
No. of class : 45.

Description of goods : Smoking-tobacco, chewing-tobacco, cigars, cheroots, cigarettes, and snuff.

No. of application : 4664.

Date : 8th April, 1904.

TRADE MARK.



The essential particulars of this trade mark are the central device, being the representation of a tomato-plant

growing from the earth and two tomatoes thereon, one being on each side of the plant, with two scrolls or bands above the device and one beneath it and the word "Otamot" beneath the tomatoes; and applicant disclaims any right to the exclusive use of the added matter, save and except in so far as it consists of his trading name.

NAME.

WILLIAM WHITTINGHAM, of the City of Auckland, in the Provincial District of Auckland, New Zealand, Sauce-manufacturer.

No. of class : 42.

Description of goods : Tomato sauces.

F. WALDEGRAVE,
Registrar.

Trade Marks registered.

LIST of Trade Marks registered from 31st March to 13th April, 1904, inclusive:—

No. 3540; 4485.—F. N. R. Meadows. Class 42. (*Gazette* No. 2, of the 7th January, 1904.)

No. 3541; 4519.—Sargood, Son, and Ewen. Class 38. (*Gazette* No. 6, of the 21st January, 1904.)

F. WALDEGRAVE,
Registrar.

Trade Mark Renewal Fees paid.

FEES paid for the renewal of the registration of the undermentioned Trade Marks for Fourteen Years from the date first mentioned in each case:—

No. 60/69.—30th June, 1904.—H. R. Murton, Napier, New Zealand. 31st March, 1904.

No. 50/105.—4th June, 1904.—J. Moseley (David Moseley and Sons). Manchester, England. 5th April, 1904.

No. 51/106.—4th June, 1904.—J. Moseley (David Moseley and Sons), Manchester, England. 5th April, 1904.

F. WALDEGRAVE,
Registrar.

Subsequent Proprietors of Trade Marks registered.

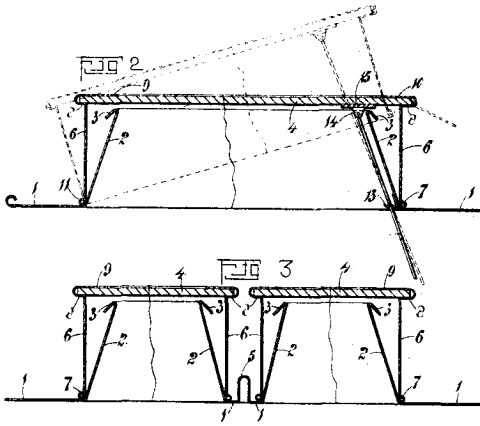
[NOTE.—The name of the former proprietor is given in brackets; the date is that of registration.]

NOs. 324/267, 325/268.—J. and G. Cox, Limited, a company duly registered under the Companies Acts, whose registered address is Gorgie Mills, Edinburgh, Scotland, and Eastcheap House, 24, Eastcheap, London, England, Glue and Gelatine Manufacturers. Registered as proprietors in so far as the mark relates to gelatine. [R. Harper and Co.] 29th March, 1904.

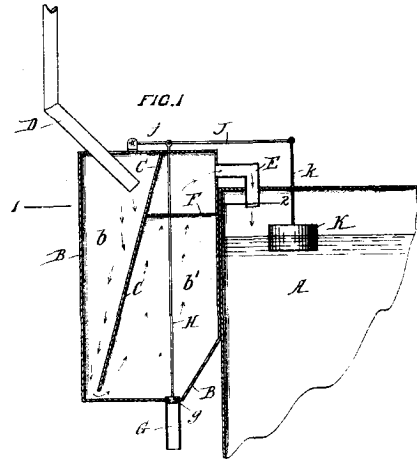
F. WALDEGRAVE,
Registrar.

ILLUSTRATIONS OF INVENTIONS.

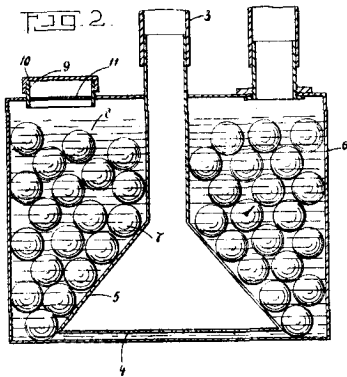
[These illustrations refer to the complete specifications accepted, and advertised in this *Gazette*.]



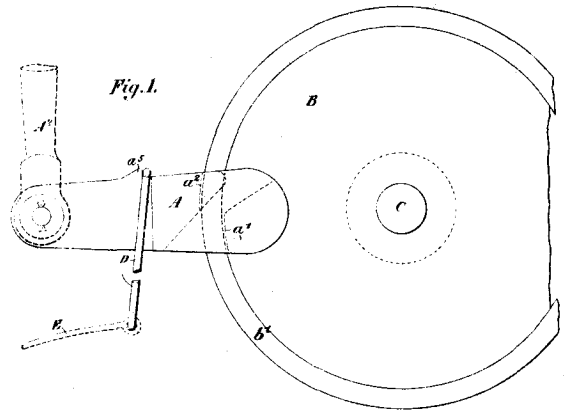
16383
Griffiths. Skylight.



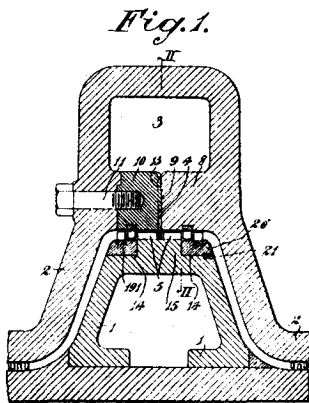
16471
Mulhare. Water-purifier.



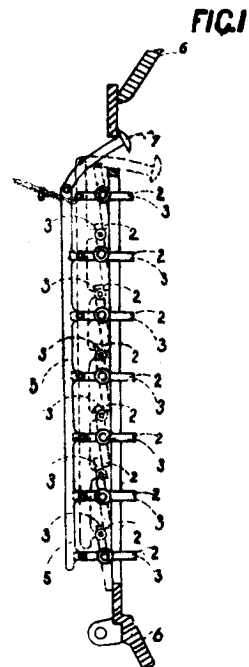
16726
Walters. Carburetter.



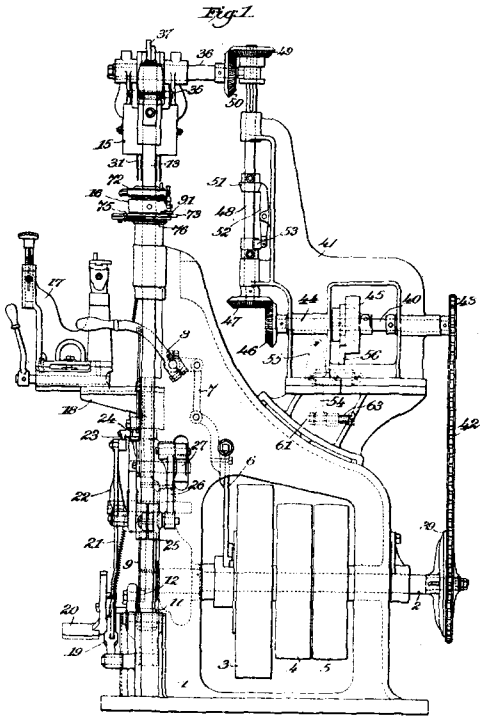
17623
Hall. Grip Driving Appliance.



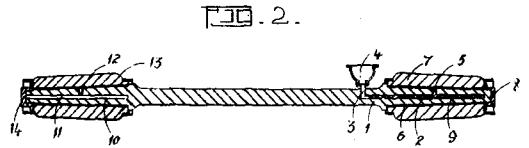
17424
Hughes. Turbine.
(The British Westinghouse Electric and
Manufacturing Company, Limited—Regenbogen.)



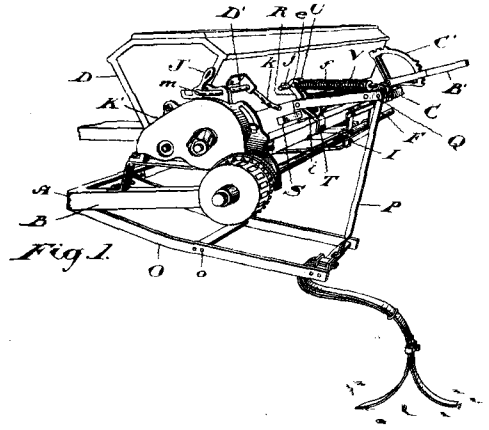
16580
Robertson. Flue-damper.



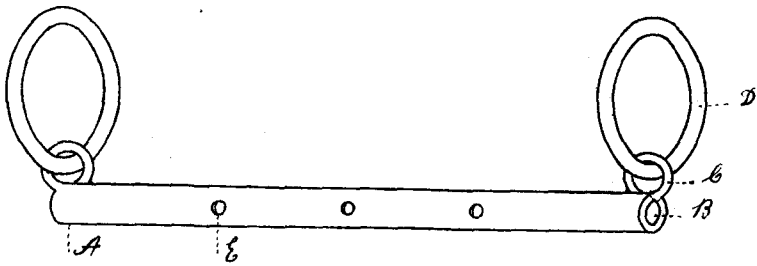
17689
Briggs. Heel-nailing Machine.



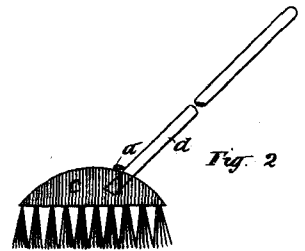
17589
Suttie. Oiling Axles.



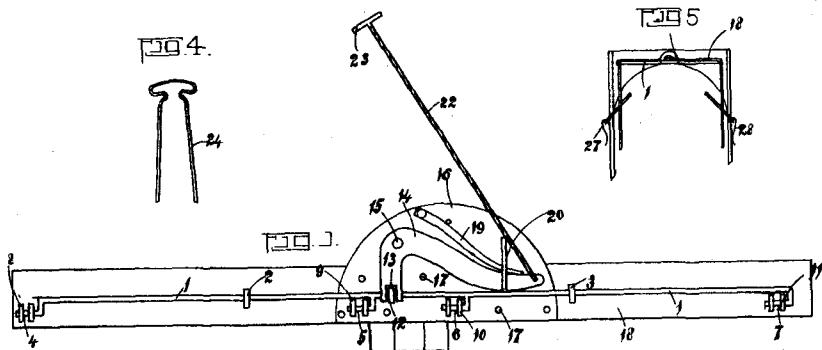
17611
Patterson. Cultivator and Seeder.
(Jones, Verity, and Johnston.)



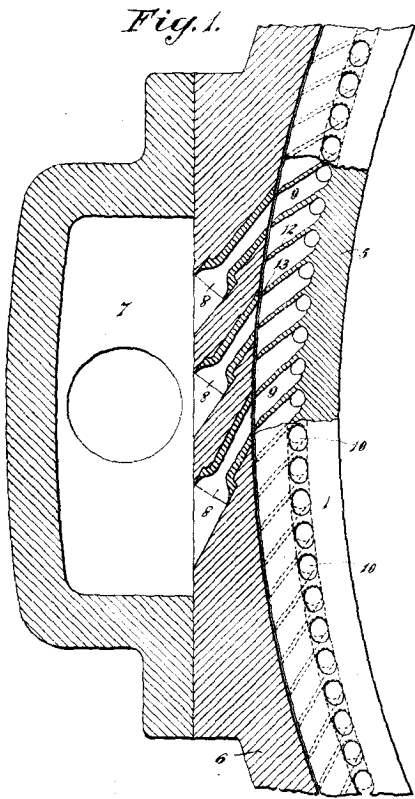
17697
Thompson. Cow-bit.



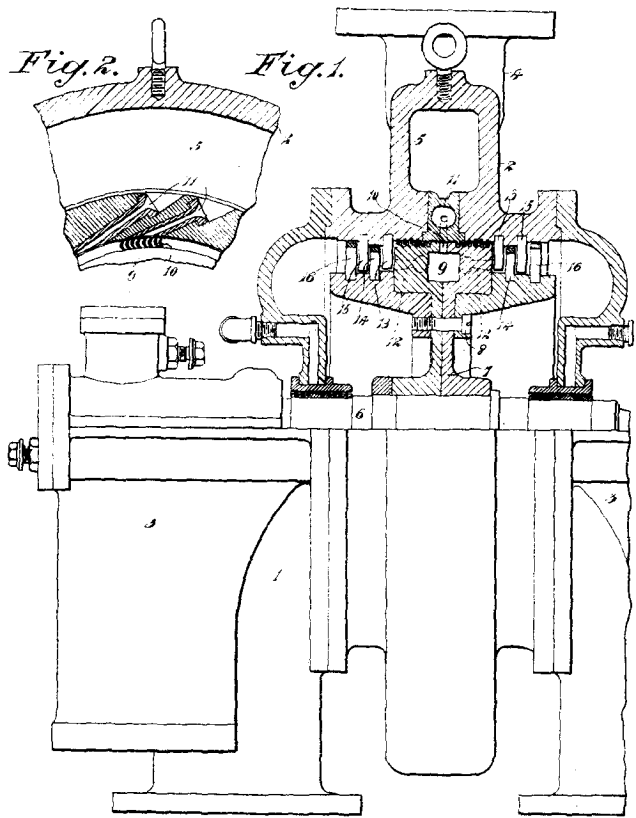
17675
Day. Broom-handle Fastener.



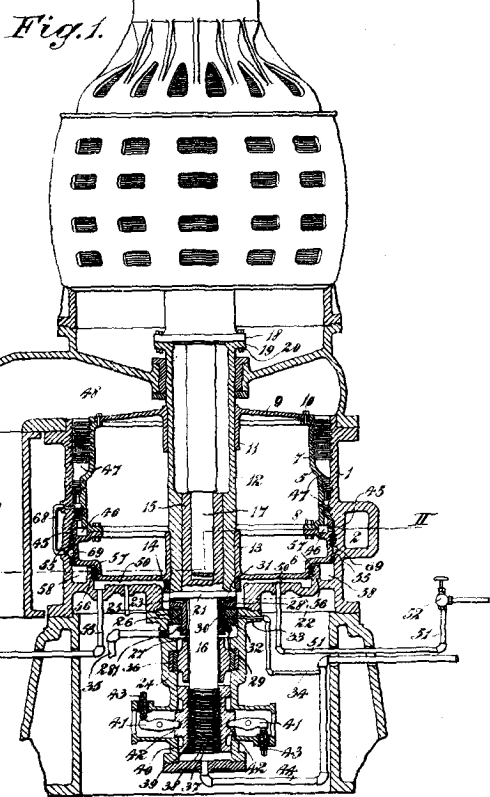
17648
Topffer. Horse-release.



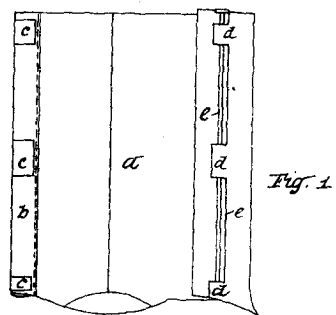
17628
Campbell. Turbine. (Westinghouse.)



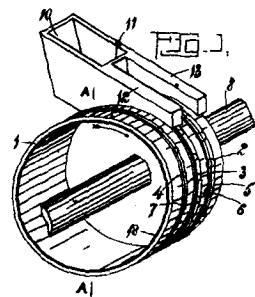
17626
Campbell. Turbine. (Westinghouse.)



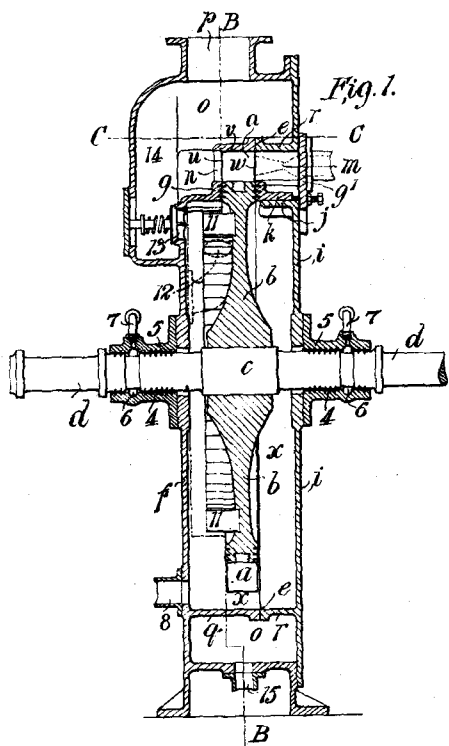
17627
Campbell. Turbine. (Westinghouse.)



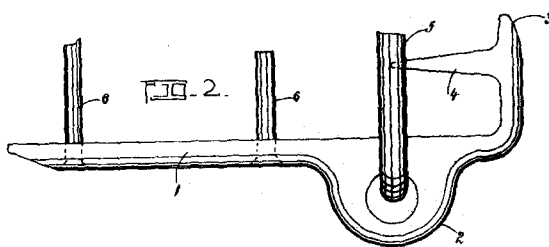
17624
Maine. Legging-fastening.



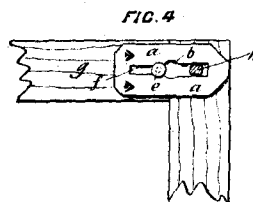
17630
Gray. Seed-sower.



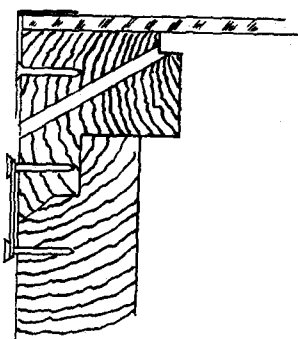
17687
Parsons. Turbine.



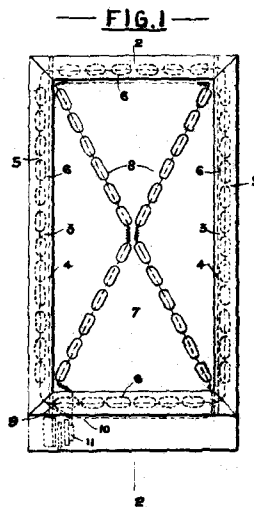
17646
Prince. Whiffletree.



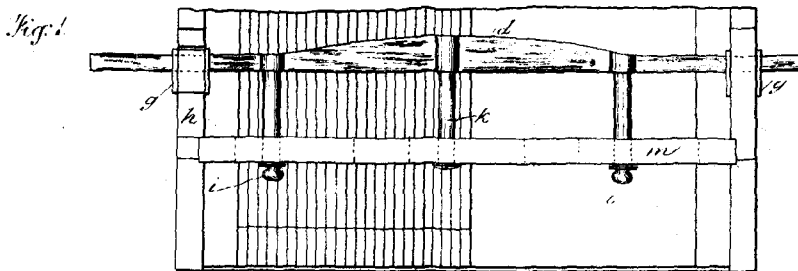
17684
Irvine. Case-fastening.



17679
Smith. Skylight.



17658
Scholer. Displaying Signs, &c.



17643
Thackeray. Musical Keyboard.

Alphabetical List of Applicants for Letters Patent for Quarter ending 31st March, 1904.

THIS list includes also (1) applications lodged prior to but gazetted during the quarter, (2) complete specifications following provisional specifications accepted and gazetted during the quarter. Where the number and date of the Gazette are omitted, the applications have not yet been accepted.

* Denotes a provisional specification. † Denotes a prior date under section 106 of "The Patents, Designs, and Trade Marks Act, 1889."

Name, Address, and Invention.	Application.		Gazette.	
	No.	Date.	No.	Date.
Adam, G. T., Prebbleton, N.Z. Securing breeching-strap to vehicle	17707	28 Mar. ..	31	14 April.*
Adiassewich, A., London, Eng. Treating shale-oil	17695	22 Mar.
Albrecht, F., Melbourne, Vic. Pipe-coupling	17594	27 Feb. ..	28	31 Mar.
Allan, A. T. W., Thames, N.Z. Gold-saving apparatus ..	17632	8 Mar. ..	25	18 Mar.*
Allan, E. A., Dunedin, N.Z. Cake-tin and steamer ..	17732	31 Mar. ..	31	14 April.*
Alexander, L. W., New Plymouth, N.Z. Golf-club	17736	28 Mar.
Anderson, J., Christchurch, N.Z. Truing up rollers of flax-stripper	17565	24 Feb. ..	25	18 Mar.
Andersson, C. O. E., Wellington, N.Z. Cutting rail-grooves in rail-way-sleepers	17481	20 Jan. ..	10	4 Feb.*
Andrew, J. W., Otahuhu, N.Z. Sprayer	17705	25 Mar. ..	31	14 April.*
Andrew, R., Melbourne, Vic. Bucket dredge attachment ..	17612	3 Mar.
Anthony, J., and another, Wellington, N.Z. Plate for oysters	17503	30 Jan. ..	15	18 Feb.*
Archer, G., and another, Benalla, Vic. Adding-machine ..	17641	10 Mar. ..	28	31 Mar.*
Armstrong, G., Dunedin, N.Z. Tailings-elevator	17608	27 Feb. ..	25	18 Mar.*
Ashcroft, A., Auckland, N.Z. Combustible dip composition	17550	16 Feb. ..	25	18 Mar.
Ashcroft, A., Auckland, N.Z. Fire-lighter	17551	16 Feb. ..	25	18 Mar.
Atkin, A. C., Auckland, N.Z. Gig-seat	16051	2 Mar., 1903..	6	21 Jan.
August, C. L., Invercargill, N.Z. Pin	17492	20 Jan. ..	20	3 Mar.*
Austin, S., Brisbane, Q. Starting-gate	17615	4 Mar.
Babcock and Wilcox, Limited, and another, London, Eng. Chain grate-stoker	16538	24 June, 1903..	2	7 Jan.
Baggesen, F. C., Melbourne, Vic. Butter-box	17726	29 Mar. ..	31	14 April.*
Baggstrom, E. L., Auckland, N.Z. Stair-rod	17692	22 Mar. ..	28	31 Mar.*
Baker, A. G., Dunedin, N.Z. Cutting material into strips ..	17618	2 Mar.
Barber, T. W., London, Eng. Speed gear	17449	8 Jan. ..	10	4 Feb.
Barlow, J. L., and another, Wellington, N.Z. Die for cake tin	17595	1 Mar. ..	25	18 Mar.*
Barnes, G., Sydney, N.S.W. (See J. G. Lodge, No. 16868.)				
Barnsdale, W., and others, Auckland, N.Z. Extractor and clarifier	16848	25 Aug., 1903..	6	21 Jan.
Barracrough, J., and others, Owharoa, N.Z. Door-holder ..	17562	24 Feb. ..	25	18 Mar.
Barton, B. C., Birmingham, Eng. Metallic bedstead ..	17465	13 Jan. ..	10	4 Feb.*
Barton, F. W., and another, Dunedin, N.Z. Umbrella-joint	17474	12 Jan.
Bates, A., Leicester, Eng. (See United Shoe Machinery Company, No. 17660.)				
Baugh. (See under De Baugh.)				
Bawden, J. M., and another, Buln Buln, Vic. Coupling-pin for road-vehicle	17490	20 Jan. ..	15	18 Feb.
Bedgood Bros., Ohaeawai, N.Z. Head block and reach ..	17506	1 Feb.
Beissel, W., and another, Invercargill, N.Z. Dressing flax ..	17479	14 Jan. ..	10	4 Feb.*
Berry, T. C., Obingaiti, N.Z. Wire-strainer	16896	1 Sept., 1903	25	18 Mar.
Betts, T., and another, Henderson, N.Z. Preventing horse from bolting	15947	4 Feb., 1903..	15	18 Feb.
Bickerton, A. W., Christchurch, N.Z. Health-shelter ..	17522	5 Feb., ..	15	18 Feb.*
Biel, W., Itzehoe, Germany. (See A. Peppler, No. 16447.)				
Bird, W. H., Wanganui, N.Z. Artificial foot	17456	12 Jan. ..	10	4 Feb.
Blackett, J. T., Guisborough, Eng. Coal-boring machine ..	17497	23 Jan. ..	15	18 Feb.
Blair, A., and another, Greenstone, N.Z. Spring rings for packing piston-rods	17677	18 Mar. ..	28	31 Mar.*
Boon, A. W., Brixton, Eng. Cycle driving and gearing mechanism	17423	27 Jan., 1903†	10	4 Feb.
Booth, G. T., and another, Christchurch, N.Z. Wheel-lift for plough	17664	15 Mar. ..	28	31 Mar.*
Booth, G. T., and another, Christchurch, N.Z. Skeith-buckle ..	17665	15 Mar. ..	28	31 Mar.*
Booth, G. T., and another, Christchurch, N.Z. Lubricator for plough-skeiths	16445	5 June, 1903..	20	3 Mar.
Booth, J., and another, Wellington, N.Z. Machinery belting ..	17523	8 Feb. ..	20	3 Mar.
Börs, O., Coala, N.S.W. Sheep-shears	17644	10 Mar. ..	28	31 Mar.*
Bowick, W. H., Hunterville, N.Z. Stove-polish	17680	21 Mar. ..	28	31 Mar.*
Boynton, F. W., Auckland, N.Z. Cardboard box	17569	25 Feb. ..	25	18 Mar.
Boynton, F. W., Auckland, N.Z. Cardboard box	17586	29 Feb. ..	28	31 Mar.
Boynton, F. W., Auckland, N.Z. Cardboard box	17590	29 Feb. ..	28	31 Mar.
Bradbury, R. A., Christchurch, N.Z. Manufacture of oil-clothing..	17452	11 Jan. ..	10	4 Feb.*
Bradshaw, C., Christchurch, N.Z. Motor-driven vehicle ..	17597	29 Feb. ..	25	18 Mar.*
Brake, J., Christchurch, N.Z. Attaching breeching-strap to vehicle	17629	7 Mar. ..	25	18 Mar.*
Brett, A. G., and another, Hawera, N.Z. Moustache-guard for spoon	17559	23 Feb. ..	20	3 Mar.*
Brew, W., and another, Christchurch, N.Z. Lubricator for plough-skeiths	16445	5 June, 1903..	20	3 Mar.
Brew, W., and another, Christchurch, N.Z. Wheel-lift for plough	17664	15 Mar. ..	28	31 Mar.*
Brew, W., and another, Christchurch, N.Z. Skeith-buckle ..	17665	15 Mar. ..	28	31 Mar.*
Brice, H., Kapuni, N.Z. Table-cricket	17460	13 Jan. ..	10	4 Feb.*
Brierly, W., and another, Auckland, N.Z. Road-sweeper ..	17520	5 Feb. ..	15	18 Feb.*
Briggs, H., Hasbrouck Heights, U.S.A. Heel-nailing machine	17689	23 Mar. ..	31	14 April.
British Westinghouse Electric and Manufacturing Company, Limited, Westminster, Eng. (See W. E. Hughes, Nos. 17041, 17424, 17599, 17619.)				

ALPHABETICAL LIST OF APPLICANTS FOR LETTERS PATENT—*continued.*

Name, Address, and Invention.	Application.		Gazette.	
	No.	Date.	No.	Date.
Brooks, W. H., Adelaide, S.A. Gas-generator	17102	15 Oct., 1903 ..	28	31 Mar.
Brown, R., and another, Greenstone, N.Z. Spring rings for packing piston-rods	17677	18 Mar. ..	28	31 Mar.*
Browne, M., Gisborne, N.Z. Handle and stand for clothes-iron ..	17693	21 Mar. ..	28	31 Mar.*
Brownley, A. H., and another, Onehunga, N.Z. Serviette-holder ..	17457	12 Jan. ..	20	3 Mar.
Budd, A. E., and another, Wellington, N.Z. Machinery belting ..	17523	8 Feb. ..	20	3 Mar.
Bülloet, E., and others, Owharoa, N.Z. Door-holder	17562	24 Feb. ..	25	18 Mar.
Bursill, F. W., Awatere, N.Z. Fencing-standard	16464	10 June, 1903 ..	15	18 Feb.
Burt, A. J. H., Hornby, N.Z. Treating sheepskins	17657	15 Mar. ..	28	31 Mar.*
Burton. (See Sanford-Burton.)				
Bussey, T. H., and another, Charters Towers, Q. Egg-beater, &c. ..	17720	31 Mar.
Butcher, W., and another, Rotorua, N.Z. Necktie-retainer	17530	10 Feb. ..	20	3 Mar.
Butterick, F., Ashburton, N.Z. Cutter of reaping-machine	16431	2 June, 1903 ..	25	18 Mar.
Cameron, E. A., and another, Invercargill, N.Z. Travelling-race for sheep	17731	30 Mar.
Campbell, J. P., Wellington, N.Z. Turbine. (G. Westinghouse) ..	17626	7 Mar. ..	31	14 April.
Campbell, J. P., Wellington, N.Z. Turbine. (G. Westinghouse) ..	17627	7 Mar. ..	31	14 April.
Campbell, J. P., Wellington, N.Z. Turbine. (G. Westinghouse) ..	17628	7 Mar. ..	31	14 April.
Carmont, W. E., Kingston-on-Thames, Eng. Motor vehicle	17598	2 Mar. ..	28	31 Mar.
Cartwright, G. J., Brisbane, Q. Burglar-alarm	17610	3 Mar.
Carver, N. P., Sydney, N.S.W. Mercury-feeder for battery	17613	3 Mar. ..	28	31 Mar.
Cassel, H. R., London, Eng. Filtering slimes	17600	2 Mar. ..	25	18 Mar.*
Catterall, E. H., and another, Buln Buln, Victoria. Coupling-pin for road-vehicle	17490	20 Jan. ..	15	18 Feb.
Cavenaugh, R. W., New York, U.S.A. (See W. E. Hughes, No. 17528.)				
Chapman, F. J., Timaru, N.Z. Lifting invalid out of bath	17580	25 Feb. ..	25	18 Mar.
Chatterson, A. E., Toronto, Canada. (See T. de Schryver, No. 17538.)				
Chewings, G., Mossburn, N.Z. Fencing-staple	17501	29 Jan. ..	15	18 Feb.*
Chisholm, A. M., Spring Hills, N.Z. Securing ends of machinery belting	17722	31 Mar. ..	31	14 April.*
Christie, R. L., Gore, N.Z. Gold-saving apparatus	17443	4 Jan. ..	6	21 Jan.*
Churchill-Olton, S., Melbourne, Vic. Rotating diaphragm for telephone	17723	31 Mar.
Clapham, G. H., and another, Wellington, N.Z. Die for cake-tin ..	17595	1 Mar. ..	25	18 Mar.*
Clare, S. F., Campbelltown, N.Z. Fitting handle to axe-head	17461	9 Jan. ..	10	4 Feb.*
Clark, D., Bairnsdale, Vic. Separating minerals from ores	17547	17 Feb. ..	20	3 Mar.*
Clarke, G. C., Hastings, N.Z. Twisting and straining wires	16410	29 May, 1903 ..	20	3 Mar.
Claydon, G., Christchurch, N.Z. Building-construction	17458	11 Jan. ..	10	4 Feb.*
Coakley, J. J., and another, Geraldton, W.A. Road-wheel	17603	2 Mar.
Cobham, W. S., Wellington, N.Z. Wheel and axle of railway-vehicle ..	17631	8 Mar. ..	25	18 Mar.*
Coe, H., Greymouth, N.Z. Nail-holder	16434	4 June, 1903 ..	25	18 Mar.
Coles, C., Melbourne, Vic. Noiseless socket for leg of chair	17566	25 Feb. ..	20	3 Mar.*
Congreve, R., Christchurch, N.Z. Cycle-lock	16377	19 May, 1903 ..	25	18 Mar.
Congreve, R., Christchurch, N.Z. Bicycle-lock	16186	4 April, 1903 ..	6	21 Jan.
Conrad, F., Pennsylvania, U.S.A. (See W. E. Hughes, No. 17041.)				
Conroy, A. M., Hawera, N.Z. Theatre-chair	17546	17 Feb. ..	20	3 Mar.*
Cooney, M., Gebbie's Valley, N.Z. Reaping-finger	17533	9 Feb. ..	15	18 Feb.*
Cooper, T. M., Dunedin, N.Z. Vehicle-brake	17448	7 Jan. ..	10	4 Feb.*
Cooper, F., Christchurch, N.Z. Steerage gear for sheep-feeding rack ..	16470	9 June, 1903 ..	20	3 Mar.
Copeland-Chaterson Company, Limited, Toronto, Canada. (See T. de Schryver, No. 17538.)				
Copeland, R. J., and another, Toronto, Canada. (See T. de Schryver, No. 17538.)				
Corrington, M., New York, U.S.A. Fluid-pressure brake	17279	19 Nov., 1903	31 Mar.
Cossar, T., Lanark, Scotland. Printing-machine	15575	30 Oct., 1902 ..	6	21 Jan.
Coull, P., Christchurch, N.Z. Fire-igniter	17463	12 Jan. ..	10	4 Feb.*
Coulson, M., and another, Auckland, N.Z. Applying tar to wood blocks	15983	11 Feb., 1903 ..	15	18 Feb.
Courtney, F. J., Wellington, N.Z. Wheel for elevating ores. (H. T. Durant and F. C. Roberts)	17487	21 Jan.
Cowan, M., Colac, N.Z. Hook and eye	17549	16 Feb. ..	20	3 Mar.*
Craw, G., Palmerston North, N.Z. Flax stripper and washer	17525	8 Feb. ..	15	18 Feb.*
Crawford, B., Auckland, N.Z. Engine-silencer	17527	13 Feb., 1903 ..	25	18 Mar.
Crump, W. C., Sydney, N.S.W. Medical belt	16476	11 June, 1903 ..	2	7 Jan.
Cummock, J., jun., and another, Glasgow, Scotland. Manufacturing aerated liquids	17477	15 Jan. ..	10	4 Feb.*
Danks, T., Christchurch, N.Z. Sinking well	17435	5 Jan. ..	6	21 Jan.*
Davidson, G., Hokitika, N.Z. Pitch-chain and sprocket	16568	29 June, 1903 ..	20	3 Mar.
Davies, T., East Eyreton, N.Z. Reaping-machine	17459	11 Jan. ..	10	4 Feb.*
Davis, W. H., Boulder, U.S.A. Treating cyanide solutions	17645	10 Mar. ..	28	31 Mar.
Davy, K., Wanganui, N.Z. Mechanical toy	17650	12 Mar. ..	28	31 Mar.
Davy, K., Wanganui, N.Z. Umbrella-handle	17462	9 Jan.
Day, S. H., Waverly, Southland, N.Z. Label	17653	14 Mar.
Day, S. H., Waverly, Southland, N.Z. Spring handle for bucket ..	17652	14 Mar.
Day, S., Christchurch, N.Z. Securing broom-handle	17675	18 Mar. ..	31	14 April.
De Baugh, H. W., and another, Auckland, N.Z. Liner for washing-copper	17557	19 Feb. ..	20	3 Mar.*
De Lisle, de B., and another, Poverty Bay, N.Z. Branding composition	17464	18 Jan. ..	15	18 Feb.*
Dennis, G., jun., Waikaia, Otago, N.Z. Raking material from sluice-boxes	17519	6 Feb. ..	15	18 Feb.*

ALPHABETICAL LIST OF APPLICANTS FOR LETTERS PATENT—continued.

Name, Address, and Invention.	Application.		Gazette.	
	No.	Date.	No.	Date.
De Schryver, T., Wellington, N.Z. Loose-leaf account-book. (Copeland-Chatterton Company, Limited—R. J. Copeland and A. E. Chatterton)	17538	11 Feb. ..	20	3 Mar.*
Dickson, S. G., Melbourne, Vic. Horse-shoe manufacturing machine	16029	27 Feb., 1903..	6	21 Jan.
Dixon, E. V., Opotiki, N.Z. Screw propeller ..	16278	28 April, 1903..	15	18 Feb.
Dobbie, A. H., and others, Adelaide, S.A. Bird-scarer. (J. Dunstone)	17439	7 Jan. ..	6	21 Jan.*
Dobbie, A. W., and others, Adelaide, S.A. Bird-scarer. (J. Dunstone)				
Dobbie, H. J., and others, Adelaide, S.A. Bird-scarer. (J. Dunstone)				
Douglas, R. R., Dunedin, N.Z. Dredge-tumbler ..	17596	1 Mar. ..	28	31 Mar.
Douglas, R. R., Dunedin, N.Z. Roller-protector for dredge-ladder..	17729	30 Mar. ..	31	14 April.*
Drewet, O. H., Pukekohe, N.Z. Hat-pin ..	17542	10 Feb. ..	20	3 Mar.
Du Feu, J. N., Christchurch, N.Z. Cushion heel for boots, &c. ..	16390	26 May, 1903 ..	20	3 Mar.
Duncan, G. S., Melbourne, Vic. Slime-filtering apparatus ..	17158	29 Oct., 1903 ..	15	18 Feb.
Duncan, J., Whangamomona, Taranaki, N.Z. Leggings ..	16499	16 June, 1903..	20	3 Mar.
Dunlop, G. H., Melbourne, Vic. Excavating machinery ..	17601	2 Mar. ..	28	31 Mar.
Dunn, D., Oamaru, N.Z. Wheel-jack ..	17053	2 Oct., 1903 ..	20	3 Mar.
Dunn, J., Launceston, Tas. Drawing off beer ..	17654	11 Mar.
Dunstone, J., Peterhead, S.A. (See A. H., A. W., and H. J. Dobbie, and J. E. M. Morley, No. 17439.)				
Durant, H. T., and another, Bulawayo, South Africa. (See F. J. Courtney, No. 17487.)				
Duryea, O. G., and another, Los Angeles, U.S.A. (See E. Phillips, No. 17573.)				
Dutch, W. A. J., and another, Wellington, N.Z. Milk heater and pasteuriser	17515	4 Feb. ..	15	18 Feb.*
Eaton, E., London, Eng. Manufacturing bricks ..	16074	11 Mar., 1903..	15	18 Feb.
Eaton, E., London, Eng. Manufacturing bricks ..	16075	11 Mar., 1903..	15	18 Feb.
Eaton, E., London, Eng. Manufacturing bricks ..	17483	20 Jan. ..	15	18 Feb.
Eckersley, A. J. L., Melbourne, Vic. Controlling contents of high-pressure reservoir	17721	31 Mar.
Edwards, W., and others, Owharoa, N.Z. Door-holder..	17562	24 Feb. ..	25	18 Mar.
Elieson, C. P., Paris, France. Electric accumulator plate ..	17584	23 Feb. ..	25	18 Mar.
Ellis, P., and another, Kilbirnie, N.Z. Tap for beer ..	16037	2 Mar., 1903..	6	21 Jan.
Elvines, F., and another, Wellington, N.Z. Tank-filter ..	17495	25 Jan.
Farrell, F. J., Auckland, N.Z. Fire and burglar alarm..	17669	14 Mar. ..	28	31 Mar.*
Faulkner, J. W., Dunedin, N.Z. Gate or window-guard ..	17427	24 Dec., 1903..	28	31 Mar.
Feu. (See under Du Feu.)				
Firth, T., Wellington, N.Z. Vehicle-wheel and horse-stopper ..	17446	9 Jan. ..	6	21 Jan.*
Fletcher, I. S., and another, Onehunga, N.Z. Serviette-holder ..	17457	12 Jan. ..	20	3 Mar.
Fletcher, J., Wyndham, N.Z. Fire-alarm ..	17505	23 Jan. ..	15	18 Feb.*
Forsyth, J., and another, Wellington, N.Z. Milk heater and pasteuriser	17515	4 Feb. ..	15	18 Feb.*
Fraser, G., and another, Auckland, N.Z. Road-sweeper ..	17520	3 Feb. ..	15	18 Feb.*
Gale, W. L., Louisville, U.S.A. Smoke-conveyer ..	17455	12 Jan. ..	10	4 Feb.
Gane, F. J., and another, Auckland, N.Z. Protector for sole of boot	17433	6 Jan. ..	10	4 Feb.*
Garland, C. L., Sydney, N.S.W. Trommel ..	17568	25 Feb.
Gatsche, J. H., Palmerston North, N.Z. Boiler for breweries, &c.	16126	25 Mar., 1903..	6	21 Jan.
Gee, W. C., Christchurch, N.Z. Planing venetian-blind lath ..	17686	22 Mar., ..	28	31 Mar.*
Gemmel, J., Maheno, N.Z. Stacking hay, &c. ..	17607	27 Feb. ..	25	18 Mar.*
George, G., and another, Auckland, N.Z. Nightsoil-receptacle ..	17524	8 Feb. ..	15	18 Feb.*
George, T. M., Waipori, N.Z. Toasting-fork ..	17583	23 Feb. ..	31	14 April.*
Gibbons, R. P., Thames, N.Z. Galvanic plate for boot ..	17552	17 Feb. ..	20	3 Mar.
Gillies, A., Terang, Vic. Pneumatic teat-cup ..	17639	9 Mar. ..	28	31 Mar.
Gillies, J. J., Bunnythorpe, N.Z. Milk-weighing machine ..	17614	3 Mar. ..	25	18 Mar.*
Godward, E. R., Invercargill, N.Z. Tank-filter ..	17588	29 Feb. ..	28	31 Mar.
Goodisson, R. S., and another, Auckland, N.Z. Shower-bath ..	17593	29 Feb. ..	25	18 Mar.*
Goodisson, R. S., and another, Auckland, N.Z. Spear pump ..	17575	26 Feb. ..	20	3 Mar.*
Gordon, W., Boston, U.S.A. (See United Shoe Machinery Company, No. 17453.)				
Grant, F. W., and another, Sydney, N.S.W. Water-lift ..	16990	17 Sept., 1903	25	18 Mar.
Grasset, R. J. W., South Yarra, Vic. Marine governor..	17625	7 Mar. ..	25	18 Mar.*
Gray, J., Dunedin, N.Z. Seed-sower ..	17630	8 Mar. ..	31	14 April.
Griffiths, F. C., New Plymouth, N.Z. Skylight ..	16383	23 May, 1903 ..	31	14 April.
Hale, W., Melbourne, Vic. Single go-cart ..	17719	31 Mar.
Hall, T., and another, Wellington, N.Z. Water-tank filter ..	17495	25 Jan.
Hall, W. L. R., Peak Hill, W.A. Grip driving-appliance for ore-feeder	17623	4 Mar. ..	31	14 April.
Hamlin, E. A. G., Dannevirke, N.Z. Dust, &c., excluder for door..	17576	26 Feb. ..	20	3 Mar.*
Harding, J. M., Auckland, N.Z. Water-tube furnace for steam-boiler	17700	23 Mar.
Harding, T., and others, Wivelscombe, Eng. Sealing boxes, &c. ..	17438	7 Jan. ..	10	4 Feb.
Hardy, A. R., Dunedin, N.Z. Staple ..	17730	30 Mar. ..	31	14 April.*
Hardy, P. B., East Melbourne, Vic. Applying heat to the skin ..	17484	21 Jan. ..	10	4 Feb.*
Harris, J., Newcastle, N.S.W. Window-sash fastener ..	17476	18 Jan. ..	10	4 Feb.*
Harvey, R. W., Invercargill, N.Z. Preserving timber ..	17678	18 Mar.
Harvey, W., Devonport, N.Z. Bucket-handle projection support ..	17517	2 Feb. ..	15	18 Feb.*
Hawkeswood, C. S., Auckland, N.Z. Roofing-tile and ridging ..	17541	11 Feb. ..	20	3 Mar.*
Hayes, E., Rough Ridge, Otago, N.Z. Standard jack ..	17671	18 Mar. ..	28	31 Mar.*

ALPHABETICAL LIST OF APPLICANTS FOR LETTERS PATENT—*continued.*

Name, Address, and Invention.	Application.		Gazette.	
	No.	Date.	No.	Date.
Henderson, G., jun., Purau, N.Z. Solution for killing noxious weeds	17668	16 Mar.	31	14 April.*
Hercus, J., and another, Dunedin, N.Z. Umbrella-joint	17474	12 Jan.
Heskett, T. J., and another, Brunswick, Vic. Treatment of ore	16963	9 Sept., 1903	10	4 Feb.
Hesse, A., and another, Invercargill, N.Z. Dressing flax	17479	14 Jan.	10	4 Feb.*
Hicks, W., and others, Auckland, N.Z. Extractor and clarifier	16848	25 Aug., 1903..	6	21 Jan.
Hiendimayr, K., Auckland, N.Z. Wave-motor	17670	14 Mar.	28	31 Mar.*
Hill, W., Auckland, N.Z. Wire-mattress holder	17635	6 Mar.
Hitchcock, F., Auckland, N.Z. Ventilator	17682	19 Mar.	28	31 Mar.*
Hodges, C. T., Dunedin, N.Z. Gutter	17504	28 Jan.	15	18 Feb.*
Hooke, C., Wellington, N.Z. Candle-extinguisher	17587	29 Feb.
Hope, J., and another, Rotorua, N.Z. Necktie-retainer	17530	10 Feb.	20	3 Mar.
Howard, F. H., Hawera, N.Z. Outrigger for vehicle	17518	6 Feb.	20	3 Mar.
Hoyland, W., Wellington, N.Z. Couch	17512	4 Feb.	15	18 Feb.*
Hucks, W., jun., and another, London, Eng. Aerating liquids	17437	7 Jan.	10	4 Feb.*
Hughes, W. E., Wellington, N.Z. Alternating-current watt-meter. (British Westinghouse Electric and Manufacturing Company, Limited—F. Conrad)	17041	30 Sept., 1903..	2	7 Jan.
Hughes, W. E., Wellington, N.Z. Fluid-pressure turbine. (The British Westinghouse Electric Manufacturing Company, Limited C. Regenbogen)	17424	30 Dec., 1903..	31	14 April.
Hughes, W. E., Wellington, N.Z. Air-brake. (G. Westinghouse)	17560	24 Feb.	25	18 Mar.
Hughes, W. E., Wellington, N.Z. Moulding soap. (The Hygienic Soap Granulator Company, Limited—R. W. Cavanaugh)	17528	9 Feb.
Hughes, W. E., Wellington, N.Z. Electrical distribution. (British Westinghouse Electric and Manufacturing Company, Limited)	17599	2 Mar.
Hughes, W. E., Wellington, N.Z. Electrical distribution. (British Westinghouse Electric and Manufacturing Company, Limited)	17619	5 Mar.
Hunter, I., Dunedin, N.Z. Cuff	16191	4 April, 1903..	20	3 Mar.
Hutchinson, A. J., Wellington, N.Z. Cylinder for gramophone	17674	19 Mar.	31	14 April.*
Hygienic Soap Granulator Company, Limited, New York, U.S.A. (See W. E. Hughes, No. 17528.)				
Irvin, J., Tuamarina, N.Z. Chart	17536	9 Feb.	20	3 Mar.
Irvine, J., Napier, N.Z. Fastening of packing-case	17684	22 Mar.	31	14 April.
Jagger, J. A., Parua Bay, N.Z. Exit-door for theatre	17672	18 Mar.	28	31 Mar.*
Jagger, J. A., Parua Bay, N.Z. Exit-door for theatre	17637	9 Mar.	28	31 Mar.*
Jardine, W., Edinburgh, Scotland. (See T. C. Jenkins and W. T. Mack, No. 17673.)				
Jenkins, C. V., Lower Hutt, N.Z. Blindfolding horses..	17655	15 Mar.	28	31 Mar.*
Jenkins, T. C., and another, Wellington, N.Z. Milking-appliance. (W. Jardine)	17673	18 Mar.	28	31 Mar.*
Jenner, J., Christchurch, N.Z. Cushion heel for boot	17564	24 Feb.	25	18 Mar.
Johnson, F. D., Westminster, Eng. Pneumatic percussive tool	17567	25 Feb.	28	31 Mar.
Johnson, J., Dunedin, N.Z. Chest-expanding brace	17554	19 Feb.	20	3 Mar.*
Johnston, C. J., Bluff, N.Z. Suspending clothes-line	17570	25 Feb.	20	3 Mar.*
Johnston, J., Dunedin, N.Z. Setting off distance along plank	17491	20 Jan.	15	18 Feb.*
Jones, G. D., Christchurch, N.Z. Cycling-trousers	17585	26 Feb.	25	18 Mar.*
Jones, L. M., and others, Toronto, Canada. (See A. S. Patterson, No. 17611.)				
Key, J., Hampton Park, Vic. Water-heater..	17471	12 Jan.	10	4 Feb.*
Key, J., Hampton Park, Vic. Water-heater..	17472	12 Jan.	10	4 Feb.*
Kingsbeer, A. J., Palmerston North, N.Z. Brick	16228	15 April, 1903..	10	4 Feb.
Kirkbride, J. L., Auckland, N.Z. Street-sweeper	17556	23 Feb.	20	3 Mar.*
Lacene Manufacturing Company, Manchester, U.S.A. Evening and grading leather. (E. P. Nichols)	17609	27 Feb.	28	31 Mar.*
Lajoie, J. P., Paris, France. Motor	17516	2 Feb.
Lauermann, A., Germany. (See C. F. A., E. G., and P. P. Schaefer, No. 17633.)				
Lawrenz, and another. (See E. Waters, jun., No. 17574.)				
Lee, W., and another, Kaitangata, N.Z. Steam-trap and water-interceptor	17659	12 Mar.	28	31 Mar.*
Leighton, H. E., Wellington, N.Z. Boiler-furnace. (H. Sanders)..	16116	21 Mar., 1903..	15	18 Feb.
Leighton, H. E., Wellington, N.Z. Smoke-consumer. (H. Sanders)	16117	21 Mar., 1903..	15	18 Feb.
Lightband, H., Christchurch, N.Z. Tire-cover for motor car	17548	17 Feb.	20	3 Mar.*
Linke, J. F., and another, Tellarjip, Vic. Disc plough	17717	31 Mar.
Lisle. (See under De Lisle.)				
Livingstone, F., London, Eng. Preparing cattle-food	17602	2 Mar.	28	31 Mar.
Ljungström, F., Stockholm, Sweden. Cow-milker	17489	20 Jan.
Lloyd, E. W., Bobinawarrah, Vic. Measuring and weighing milk	17725	29 Mar.	31	14 April.*
Lockerbie, R. L., Invercargill, N.Z. Hanging sash, door, &c.	15922	27 Jan., 1903..	6	21 Jan.
Lodge, J. G., Darlinghurst, N.S.W. Window-sash support. (G. Barnes)	16868	27 Aug., 1903..	25	18 Mar.
Lord, W., Croydon, Surrey, Eng. Gas-generator	17537	11 Feb.	15	18 Feb.*
Lowe, C. H., Auckland, N.Z. Horse-shoeing lever	16799	10 Aug., 1903..	20	3 Mar.
Lowe, W., Invercargill, N.Z. Seed-sower	16297	1 May, 1903..	15	18 Feb.
Lubbers, J. H., Allegheny, U.S.A. (See W. H. Water., No. 17526.)				
Luck, J., Cromwell, N.Z. Hat-pin	17558	20 Feb.	20	3 Mar.*
Lungley, C. F., Melbourne, Vic. Treating ironsand	17688	23 Mar.	28	31 Mar.*
Luttrell, E. V., and another, Gisborne, N.Z. Branding-composition	17464	18 Jan.	15	18 Feb.*
Lyons, T. P., Wellington, N.Z. Vehicle-wheel tire	17579	26 Feb.	20	3 Mar.*

ALPHABETICAL LIST OF APPLICANTS FOR LETTERS PATENT—*continued.*

Name, Address, and Invention.	Application.		Gazette.	
	No.	Date.	No.	Date.
MacCann, J. W., and another, Christchurch, N.Z. Fly-catcher ..	17397	19 Dec., 1903 ..	25	18 Mar.
Mack, W. T., and another, Wellington, N.Z. Milking-appliance. (W. Jardine)	17673	18 Mar. ..	28	31 Mar.*
Mackay, A. G., Nelson, N.Z. Chamber utensil ..	16420	27 May., 1903..	25	18 Mar.
Macky, J. J., Auckland, N.Z. Nut-lock ..	17642	5 Mar. ..	28	31 Mar.*
Macvean, A., Tipapa, N.Z. Fencing-dropper ..	17553	20 Feb. ..	20	3 Mar.*
Maine, J. T., Christchurch, N.Z. Legging-fastening ..	17624	5 Mar. ..	31	14 April.
Manning, H. D., Paeroa, N.Z. Securing cover of nightsoil-pan ..	17651	12 Mar. ..	28	31 Mar.*
Marks, H. J., Toowoomba, Q. Window-holder ..	17485	21 Jan. ..	10	4 Feb.*
Marshall, H., and another, Edinburgh, Scotland. Lamp ..	17511	4 Feb. ..	20	3 Mar.
Masding, W. H. J., Bridgewater, Eng. (See P. R. Sargood, No. 17177.)				
Maton, J., and another, Edinburgh, Scotland. Lamp ..	17511	4 Feb. ..	20	3 Mar.
McCallum, A. C., and another, Perth, W.A. Road-wheel ..	17603	2 Mar.
McCorkindale, W., Gore, N.Z. Sluice-box clay-cutter ..	17540	9 Feb. ..	15	18 Feb.*
McCulloch, A. H., Sydney, N.S.W. Preventing escape of carbon in coal	17390	18 Dec., 1903	20	3 Mar.
McCutcheon, C. O., and another, Christchurch, N.Z. Sinking well	17467	13 Jan. ..	10	4 Feb.*
McDougall, H. H., Wellington, N.Z. Hair-pin ..	17698	25 Mar.
McKenzie, D., Auckland, N.Z. Wire coiler and spindle ..	16595	2 July, 1903..	28	31 Mar.
McKnight, R., Philadelphia, U.S.A. Electro-magnetic separator ..	16106	19 Mar., 1903..	6	21 Jan.
McLaren, R. A., and others, Renfrew, Scotland. Chain grate-stoker ..	16538	24 June, 1903..	2	7 Jan.
McLean, J., and another, Wellington, N.Z. Tap for beer ..	16037	2 Mar., 1903..	6	21 Jan.
McLeod, A., Auckland, N.Z. Burner and heater ..	16925	3 Sept., 1903	10	4 Feb.
McLeod, A., Auckland, N.Z. Brand ..	16548	22 June, 1903..	25	18 Mar.
McMurray, S., and another, Christchurch, N.Z. Suspending pic- tures	17480	20 Jan. ..	10	4 Feb.*
McNeil, H., and another, Sydney, N.S.W. Water-lift ..	16990	17 Sept., 1903..	25	18 Mar.
McPharlin, A. J., Auckland, N.Z. Cutting incisions in gum-trees..	16928	8 Sept., 1903..	28	31 Mar.*
McPharlin, A. J., and another, Auckland, N.Z. Spear pump ..	17575	26 Feb. ..	20	3 Mar.*
McPharlin, A. J., Whangapoua, N.Z. Chipping kauri-gum ..	17577	26 Feb. ..	28	31 Mar.
McPharlin, A. J., Auckland, N.Z. Receptacle for collecting kauri- gum	17563	24 Feb. ..	25	18 Mar.
McPharlin, A. J., Auckland, N.Z. Receptacle for collecting kauri- gum	17591	29 Feb. ..	25	18 Mar.*
McPharlin, A. J., Auckland, N.Z. Receptacle for collecting kauri- gum	17592	29 Feb. ..	25	18 Mar.*
McPharlin, A. J., and another, Auckland, N.Z. Shower-bath ..	17593	29 Feb. ..	25	18 Mar.*
Mergenthaler, O., and another. (See E. Waters, jun., No. 17574.)				
Merrett, J. A., Wellington, N.Z. Cylinder drying-machine ..	17638	9 Mar.
Mitchell, J., and another, Auckland, N.Z. Protector for sole of boot	17433	6 Jan. ..	10	4 Feb.*
Mitchell, J., and another, Auckland, N.Z. Nightsoil-receptacle ..	17524	8 Feb. ..	15	18 Feb.*
Mizon, W., South Melbourne, Vic. Propelling vessel ..	17636	9 Mar. ..	25	18 Mar.*
Mole, A., Fordsburg, Transvaal. Hanging window-sash ..	17715	31 Mar.
Monro, A. V. H., and another, Dunedin, N.Z. Safety-grip block ..	16413	27 May, 1903 ..	25	18 Mar.
Moore, M., and another, Melbourne, Vic. Treatment of ore ..	16963	9 Sept., 1903..	10	4 Feb.
Moore, R. J., Ruahine, Rangitikei, N.Z. Milk-aerator ..	17514	4 Feb. ..	15	18 Feb.*
Morgan, J. C., Mangamahu, N.Z. Animal-cover fastening ..	16422	1 June, 1903..	25	18 Mar.
Morgan Crucible Company, Limited, The, London, Eng. Crucible furnace. (C. W. Speirs)	17486	21 Jan. ..	15	18 Feb.
Morison, G. S., Bendigo, Vic. Steam-engine ..	16232	16 April, 1903..	20	3 Mar.
Morley, J. E. M., and others, Adelaide, S.A. Bird-scarer. (J. Dunstone)	17439	7 Jan. ..	6	21 Jan.*
Morony, J. B., Mudgee, N.S.W. Preventing horse from bolting ..	16135	25 Mar., 1903..	20	3 Mar.
Moss, E., Christchurch, N.Z. Stamping-machine ..	17727	30 Mar. ..	31	14 April.*
Moyle, G. F., Dunedin, N.Z. Turning leaves of music ..	17444	5 Jan. ..	6	21 Jan.*
Mulhare, J. W., Invercargill, N.Z. Water-purifier ..	16471	4 June, 1903..	31	14 April.
Murdock, J. W., Dunedin, N.Z. Tram-line scraper ..	17724	29 Mar. ..	31	14 April.*
Murgatroyd, J., Christchurch, N.Z. Defrosting frozen meat ..	17582	27 Feb. ..	25	18 Mar.*
Murphy, A. R., Invercargill, N.Z. Bicycle-support ..	17498	25 Jan.
Mutch, A., and another, Carterton, N.Z. Copper-boiler frame ..	17634	8 Mar. ..	25	18 Mar.*
Nash, F. J., Somerville, U.S.A. (See United Shoe Machinery Company, No. 17661.)				
National Typographic Company, Charlestown, U.S.A. (See E. Waters, jun., No. 17574.)				
Naumann, F. W., Wellington, N.Z. Cleaning lamp-glass, &c. ..	17571	25 Feb. ..	20	3 Mar.*
Naunton, W. E., and another, North Fitzroy, Vic. Printing music and stave	17718	31 Mar. ..	31	14 April.*
Nelson, H., Wellington, N.Z. (See A. J. Park, No. 16261.)				
Newman, W. F., Sydney, N.S.W. Turbine ..	17716	31 Mar. ..	31	14 April.*
Newson, C. M., and another, Auckland, N.Z. Applying tar to wood blocks	15983	11 Feb., 1903..	15	18 Feb.
Nichols, E. P., Manchester, U.S.A. (See Lacene Manufacturing Company, No. 17609.)				
Nissen, C., Milton, N.Z. Separating dust from air ..	17543	15 Feb. ..	20	3 Mar.
Noack, M. S., and another, Hopevale, Vic. Disc plough ..	17717	31 Mar.
North, B., Bradford, Eng. Electricity-meter ..	16987	17 Sep., 1903 ..	2	7 Jan.
Noy, H. G. W. L., and another, Dunedin, N.Z. Safety-grip block	16413	27 May, 1903 ..	25	18 Mar.
Nuttall, W. T., Wellington, N.Z. Trousers-suspender ..	17513	4 Feb. ..	15	18 Feb.*
Ogle, P. J., and others, London, Eng. Extraction of metal from ore	17561	24 Feb. ..	20	3 Mar.*
O'Neil, J., Christchurch, N.Z. Windmill-lubricator ..	16290	29 April, 1903	15	18 Feb.
Otton. (See under Churchill-Otton.)				

ALPHABETICAL LIST OF APPLICANTS FOR LETTERS PATENT—*continued.*

Name, Address, and Invention.	Application.		Gazette.	
	No.	Date.	No.	Date.
Page, F. T., Dannevirke, N.Z. Fishing-rod attachment ..	17430	5 Jan. ..	6	21 Jan.*
Page, F. T., Dannevirke, N.Z. Dust, &c., excluder for door ..	17532	10 Feb. ..	25	18 Mar.*
Paley, W. V., and another, Charters Towers, Q. Egg-beater, &c. ..	17720	31 Mar.
Palmer, T. C., and another, North Fitzroy, Vic. Printing music and stave ..	17718	31 Mar.
Park, A. J., Dunedin, N.Z. Increasing saleability of goods. (H. Nelson)	16261	17 April, 1903	25	18 Mar.
Park, A. J., Auckland, N.Z. Suspending and operating window-sash	17447	9 Jan. ..	6	21 Jan.*
Parker, A., Dannevirke, N.Z. Window-lock and draught-excluder..	17531	10 Feb. ..	15	18 Feb.*
Parker, A., Dannevirke, N.Z. Actuating dust-excluder for door ..	17507	2 Feb. ..	20	3 Mar.
Parker, F. S., Spreydon, N.Z. Hot-water shower ..	17434	5 Jan. ..	6	21 Jan.*
Parry, A. G., Christchurch, N.Z. Sifting cinders, &c. ..	17441	7 Jan. ..	6	21 Jan.*
Parsons, Hon. C. A., Newcastle-on-Tyne, Eng. Turbine ..	17687	23 Mar. ..	31	14 April.
Patten, A. J., and others, Toronto, Canada. (See A. S. Patterson, No. 17611.)				
Patterson, A. S., Melbourne, Vic. Cultivator and seeder. (L. M. Jones, R. H. Verity, and A. J. Patten)	17611	3 Mar. ..	31	14 April
Pease, C., Salem, U.S.A. (See United-Xpedite Finishing Company, No. 16509.)				
Peppler, A., Christchurch, N.Z. Window. (W. Biel) ..	16447	8 June, 1903	20	3 Mar.
Phillips, E., Melbourne, Vic. Gold-saving apparatus. (L. Sachse)	17470	12 Jan. ..	10	4 Feb.
Phillips, E., Melbourne, Vic. Gas-engine. (O. C. Duryea and M. C. White)	17573	25 Feb. ..	28	31 Mar.
Pierce, W. J., Gisborne, N.Z. Fire-escape ..	17704	28 Mar.
Pike, E. S., Wellington, N.Z. Cover for cooking-range..	17544	16 Feb. ..	20	3 Mar.*
Pirrit, G., and another, Henderson, N.Z. Preventing horse from bolting	15947	4 Feb., 1903..	15	18 Feb.
Pomeroy, J., Invercargill, N.Z. Axe head and handle ..	17691	15 Mar. ..	28	31 Mar.*
Pomeroy, J., Invercargill, N.Z. Milking-machine ..	17711	26 Mar. ..	31	14 April.*
Pomeroy, J. H., Invercargill, N.Z. Hat-fastener ..	16236	16 April, 1903	15	18 Feb.
Porter, B., Waikanae, N.Z. Bust-support ..	17617	4 Mar. ..	25	18 Mar.*
Potter, C. V., St. Kilda, Vic. Solution for mixing paints	16397	28 May, 1903 ..	6	21 Jan.
Powell, W., Liverpool, Eng. Preserving timber ..	17510	4 Feb. ..	20	3 Mar.
Prince, J. T., Papatoitot, N.Z. Whiffletree ..	17646	10 Mar. ..	31	14 April.
Ramage, J., Balclutha, N.Z. Acetylene-generator ..	17676	18 Mar. ..	28	31 Mar.*
Ramsay, J., Invercargill, N.Z. Hair-pin ..	17450	11 Jan. ..	6	21 Jan.*
Ramsay, W. E. S., and another, St. Albans, N.Z. Suspending pictures	17480	20 Jan. ..	10	4 Feb.*
Rapid Cyanide Treatment, Limited, and another, London, Eng. Extraction of metal from ore	17561	24 Feb. ..	20	3 Mar.*
Rask, C., and another, Invercargill, N.Z. Travelling-race for sheep	17731	30 Mar.
Reeves, W., Masterton, N.Z. Tobacco-cutter ..	17429	4 Jan. ..	6	21 Jan.*
Regenbogen, C., Manchester, Eng. (See W. E. Hughes, No. 17424.)				
Remnant, G. W., Manutahi, near Patea, N.Z. Potato-plough ..	16436	4 June, 1903..	25	18 Mar.
Restorok, E. J., Melbourne, Vic. Mattress ..	16714	30 July, 1903 ..	6	21 Jan.
Richmond, A. P., Sydney, N.S.W. Therapeutic apparatus ..	17640	9 Mar. ..	28	31 Mar.*
Rickard, F. G., Ashburton, N.Z. Bicycle-pump ..	17432	6 Jan. ..	6	21 Jan.*
Roberts, F. C., and another, Bulawayo, South Africa. (See F. J. Courtney, No. 17487.)				
Robertson, C., Dunedin, N.Z. Laundry apparatus ..	17440	7 Jan. ..	6	21 Jan.*
Robertson, W., Maori Hill, N.Z. Flue-damper ..	16560	24 June, 1903..	31	14 April.
Roseman, S. G., Auckland, N.Z. Broom or brush ..	17681	21 Mar. ..	28	31 Mar.*
Rowe, D., Wanganui, N.Z. Bicycle-pump ..	17701	26 Mar. ..	31	14 April.*
Sachse, L., Oroville, U.S.A. (See E. Phillips, No. 17470.)				
Sanders, H., Nottingham, Eng. (See H. E. Leighton, Nos. 16116 and 16117.)				
Sanford-Burton, H., Oxford, Eng. Copying writing, &c. ..	17605	2 Mar.
Sargood, P. R., Wellington, N.Z. Collar. (W. H. J. Masding) ..	17177	3 Nov., 1903..	20	3 Mar.*
Saxton, E., Nelson, N.Z. Cycling-gauntlet ..	15028	28 Mar., 1903..	6	21 Jan.
Schaefer, C. F. A., and others, Wellington, N.Z. Composition for making stucco ornaments. (A. Lauer mann)				
Schaefer, E. G., and others, Wellington, N.Z. Composition for making stucco ornaments. (A. Lauer mann)	17633	18 Mar. ..	31	14 April.
Schaefer, P. P., and others, Wellington, N.Z. Composition for making stucco ornaments. (A. Luer mann)				
Schmitt, E. D., Baltimore, U.S.A. (See L. B. Schram, No. 17706.)				
Scholer, O. M., Sydney, N.S.W. Displaying signs ..	17658	11 Mar. ..	31	14 April.
Schram, L. B., New York, U.S.A. Bottle-sealing device. (E. D. Schmitt)	17706	29 Mar.
Schryver. (See under De Schryver.)				
Scorror, J., Wellington, N.Z. Actuating wool-press ..	17708	30 Mar. ..	31	14 April.*
Scorror, J., Wellington, N.Z. Lifting lever ..	17709	30 Mar. ..	31	14 April.*
Scott, C. E. S., New Plymouth, N.Z. Geographical game ..	17466	14 Jan. ..	15	18 Feb.
Scott, G. M., Dunedin, N.Z. Sash hanger and lock ..	16582	29 June, 1903..	10	4 Feb.
Scully, J. W., and another, Wellington, N.Z. Plate for oysters, &c.	17503	30 Jan. ..	15	18 Feb.*
Scurr, C. N., Dunedin, N.Z. Arm adjustment for mitre-frame. (R. Wales)	16306	2 May, 1903 ..	6	21 Jan.
Sears, F. W., Wellington, N.Z. Imprinting matter on photographic negative	17656	15 Mar. ..	28	31 Mar.*
Sears, F. W., Wellington, N.Z. Making half-tone plates ..	17685	22 Mar. ..	28	31 Mar.*
Selby, S., London, Eng. Drying bricks, &c... ..	17482	20 Jan. ..	15	18 Feb.
Selwood, H., Kingston, N.Z. Belt-fastener ..	17622	4 Mar. ..	25	18 Mar.*

ALPHABETICAL LIST OF APPLICANTS FOR LETTERS PATENT—continued.

Name, Address, and Invention.	Application.		Gazette.	
	No.	Date.	No.	Date.
Sim, W., Invercargill, N.Z. Milking-machine	16157	28 Mar., 1903..	20	3 Mar.
Simmonds, W. P., Nelson, N.Z. Sight and sound of music ..	17509	3 Feb.
Simmons, C., Paignton, Eng. Lifting and turning drill ..	17521	3 Feb.
Single, F. J., Gisborne, N.Z. Horse-shoe	17694	23 Mar.
Smethurst, E., Christchurch, N.Z. Controlling speed of ship ..	17606	1 Mar.	25	18 Mar.*
Smethurst, E., Christchurch, N.Z. Retarding speed of ship ..	17468	13 Jan.	10	4 Feb.*
Smith, A. O., Bunnythorpe, N.Z. Acetylene-gas generator ..	17616	4 Mar.	25	18 Mar.*
Smith, F. W., Rangiwahia, N.Z. Drawing off liquid from vessel ..	17578	26 Feb.	20	3 Mar.*
Smith, I. M., Christchurch, N.Z. Culinary utensil	17529	10 Feb.	20	3 Mar.
Smith, R. F., Dunedin, N.Z. Skylight	17679	18 Mar.	31	14 April.
Snowden, J., Maropiu, Auckland, N.Z. Bullock-bow key ..	17534	8 Feb.	15	18 Feb.*
Soda Stream, Limited, and another, London, Eng. Aerating liquids	17437	7 Jan.	10	4 Feb.
Soulas, C., Wanganui, N.Z. Swing bed for ships	17451	11 Jan.	10	4 Feb.
Soulas, C., Wanganui, N.Z. Telescope	17496	25 Jan.	10	4 Feb.*
Soulas, C., Okato, Taranaki, N.Z. Projectile	17535	11 Feb.	15	18 Feb.*
Speirs, C. W., London, Eng. (See The Morgan Crucible Company, Limited, No. 17486.)				
Stenhouse, J., Dunedin, N.Z. Spark-arrester	17666	16 Mar.
Stevens, T. G., Greenhithe, Eng. Cycle-saddle	17604	2 Mar.
Stevenson, G., Riversdale, N.Z. Candle-extinguisher ..	16198	6 April, 1903..	10	4 Feb.
Stevenson, G., Riversdale, N.Z. Earth-auger	16188	4 April, 1903..	15	18 Feb.
Stokes, C. L., Wellington, N.Z. Balancing window-sash ..	16237	16 April, 1903..	10	4 Feb.
Stubbs, F., Auckland, N.Z. Lighting fires	17493	19 Jan.	28	31 Mar.*
Sutherland, D. G., Christchurch, N.Z. Tobacco-pipe ..	17500	29 Jan.	15	18 Feb.*
Sutherland, G. G., and another, Hawera, N.Z. Moustache-guard for spoon	17559	23 Feb.	20	3 Mar.*
Suttie, R. L., Onehunga, N.Z. Oiling axles	17589	29 Feb.	31	14 April.
Swanell, C. T., and another, Kaitangata, N.Z. Steam-trap and water-interceptor	17659	12 Mar.	31 Mar.*
Sweetser, G., Norwood, Eng. Incandescent electric lamp ..	17662	16 Mar.
Tait, A. L. J., Richmond, Vic. Washing and dressing flax ..	17683	22 Mar.
Tattam, C. J., and another, Benalla, Vic. Adding-machine ..	17641	10 Mar.	28	31 Mar.*
Taylor, J. E., and another, Christchurch, N.Z. Fly-catcher ..	17397	19 Dec., 1903..	25	18 Mar.
Thackeray, S. W., Greenwich, Eng. Musical keyboard ..	17643	10 Mar.	31	14 April.
Thomas, J., Middlesex, Eng. Coupling and buffer	16869	27 Aug., 1903..	2	7 Jan.
Thomas, J. W., and another, Christchurch, N.Z. Sinking well ..	17467	13 Jan.	10	4 Feb.*
Thompson, W. T., Mahoe, N.Z. Preventing milch-cows sucking themselves	17697	24 Mar.	31	14 April.
Thomson, D., Edinburgh, Scotland. Dividing-machine ..	16442	4 June, 1903..	6	21 Jan.
Thomson, J., Winton, N.Z. Thinning turnips	17475	16 Jan.	10	4 Feb.
Thomson, J. R., Sydney, N.S.W. Heat-circulator for steam-boiler	17508	3 Feb.	20	3 Mar.
Thomson, R. W., Lynn, U.S.A. (See United-Xpedite Finishing Company, No. 16510.)				
Tochey, J. T., and another, Sydney, N.S.W. Knife-cleaner ..	17690	23 Mar.
Topffer, A. W., Reefton, N.Z.	17648	11 Mar.	31	14 April.
Trebath, W., Gore, N.Z. Hose-cover	17667	16 Mar.	31	14 April.*
Trehwella, B., and another, Trentham, Vic. Operating pawl of lever jack	16524	19 June, 1903..	25	18 Mar.
Trehwella, W., and another, Trentham, Vic. Operating pawl of lever jack				
Turchi, C., Ferrara, Italy. Telephonic and telegraphic apparatus ..	17499	29 Jan.	15	18 Feb.
Twomey, J. M., Temuka, N.Z. Newspaper-folder	17431	5 Jan.	6	21 Jan.*
United Shoe Machinery Company, Paterson, U.S.A. Buffing-rolls. (W. Gordon)	17453	12 Jan.	10	4 Feb.*
United Shoe Machinery Company, Paterson, U.S.A. Heel-attaching machine. (A. Bates)	17660	16 Mar.	28	31 Mar.*
United Shoe Machinery Company, Paterson, U.S.A. Splitting leather. (F. J. Nash)	17661	16 Mar.	28	31 Mar.*
United Shoe Machinery Company, Paterson, U.S.A. Sole laying and pressing machine. (E. E. Winkley)	17662	16 Mar.	28	31 Mar.*
United-Xpedite Finishing Company, Berwick, U.S.A. Heel-finishing machine. (C. Pease)	16509	18 June, 1903..	25	18 Mar.
United-Xpedite Finishing Company, Berwick, U.S.A. Heel-finishing machine. (R. W. Thompson)	16510	18 June, 1903..	25	18 Mar.
Verity, R. H., and others, Toronto, Canada. (See A. S. Patterson, No. 17611.)				
Vickery, G., and others, Norton Fitzwarren, Eng. Sealing boxes, &c.	17438	7 Jan.	10	4 Feb.
Vickery, W., and others, Millerton, Eng. Sealing boxes, &c. ..				
Vivian, T., and another, Auckland, N.Z. Liner for washing-copper, &c.	17557	19 Feb.	20	3 Mar.*
Waddle, C. H., and another, Dunedin, N.Z. Table amusement ..	17478	15 Jan.	15	18 Feb.*
Wainwright, H. S., Ashford, Eng. Spark-arrester	17713	25 Sept., 1903†
Wainwright, H. S., Ashford, Eng. Spark-arrester	17714	15 Oct., 1903†
Wales, R., Dunedin, N.Z. (See C. N. Scurr, No. 16306.)				
Wales, R., Dunedin, N.Z. Stamping-machine	17620	4 Mar.	25	18 Mar.*
Wales, R., Dunedin, N.Z. Stamping-machine	17621	4 Mar.	25	18 Mar.*
Wall, W. C., and another, Sydney, N.S.W. Knife-cleaner ..	17690	23 Mar.
Walters, W. B., Dunedin, N.Z. Carburetter	16726	1 Aug., 1903..	31	14 April.
Warden, C. E., Christchurch, N.Z. Hoops and pegs for game ..	17710	30 Mar.

ALPHABETICAL LIST OF APPLICANTS FOR LETTERS PATENT—continued.

Name, Address, and Invention.	Application.		Gazette.	
	No.	Date.	No.	Date.
Waters, E., jun., Melbourne, Vic. Typographic machine. (National Typographic Company—O. Mergenthaler—Lawrenz)	17574	25 Feb.
Waters, W. H., Melbourne, Vic. Drawing glass. (The Window-glass Machine Company—J. H. Lubbers.)	17526	5 Feb. ..	28	31 Mar.
Watkins, A. L., London, Eng. Grooving metal tubes ..	17454	12 Jan. ..	10	4 Feb.
Watson, H. G., and another, Coatbridge, Scotland. Manufacturing aerated liquids	17477	15 Jan. ..	10	4 Feb.*
Watts, A. M. S., Palmerston North, N.Z. Attaching draw-off tap to drum, &c.	16288	30 April, 1903	15	18 Feb.
Westinghouse, G., Pittsburg, U.S.A. (See W. E. Hughes, No. 17560.)				
Westinghouse, G., Pittsburg, U.S.A. (See J. P. Campbell, Nos. 17626, 17627, 17628.)				
White, M. C., and another, Los Angeles, U.S.A. (See E. Phillips, No. 17573.)				
White, S., and another, Dunedin, N.Z. Table amusement ..	17478	15 Jan. ..	15	18 Feb.*
White, W., Cromwell, N.Z. Fencing-standard ..	17502	29 Jan. ..	15	18 Feb.*
Whitehouse, F. A., and another, Birmingham, Eng. Valve of cock, &c.	17539	11 Feb. ..	20	3 Mar.
Whitehouse, I., and another, Birmingham, Eng. Valve of cock, &c.				
Whitelaw, H. J., Palmerston North, N.Z. Clothes-peg ..	17555	22 Feb. ..	20	3 Mar.*
Whitelaw, H. J., Palmerston North, N.Z. Clothes-peg ..	17581	27 Feb. ..	25	18 Mar.*
Whitelaw, H. J., Palmerston North, N.Z. Tire-protector ..	17712	31 Mar.
Whitney, A., Melbourne, Vic. Tap ..	17436	5 Jan. ..	6	21 Jan.*
Widdicombe, T. H. H., Hobart, Tas. Butter-cutter ..	17696	23 Mar.
Wiley, C., Sydney, N.S.W. Knife-cleaner ..	17572	25 Feb. ..	25	18 Mar.
Wilkinson, F., Petone, N.Z. Separating fibres of wool, flax, &c. ..	16257	22 April, 1903	15	18 Feb.
Wilkinson, W., Auckland, N.Z. Game ..	17473	11 Jan. ..	15	18 Feb.*
Williams, D. J., Waimangaroa Junction, N.Z. Conveying flax from strippers and cleaning same	17699	25 Mar. ..	31	14 April.*
Williams, F., and others, Auckland, N.Z. Extractor and clarifier ..	16848	25 Aug., 1903..	6	21 Jan.
Wilson, A., Timaru, N.Z. Mixture for cleaning clothes, &c. ..	17488	20 Jan. ..	10	4 Feb.*
Wilson, N., jun., and another, Warkworth, N.Z. Chair-seat ..	17647	10 Mar. ..	28	31 Mar.*
Wilson, W. D., Auckland, N.Z., Swingletree-iron ..	16146	25 Mar., 1903..	6	21 Jan.
Window-glass Machine Company, Pittsburgh, U.S.A. (See W. H. Waters, No. 17526.)				
Winklemann, C. P., Auckland, N.Z. Fire-alarm ..	17545	17 Feb. ..	20	3 Mar.*
Winkley, E. E., Lynn, U.S.A. (See United Shoe Machinery Company, No. 17663.)				
Wolf, A. C., and another, Carterton, N.Z. Copper-boiler frame ..	17634	8 Mar. ..	25	18 Mar.*
Woolford, J., Kai Iwi, N.Z. Wire-strainer ..	17445	8 Jan.
World, D., Warrnambool, Vic. Union joint for tap ..	17494	22 Jan. ..	15	18 Feb.*
Worsley, M. I., and another, Auckland, N.Z. Chair-seat ..	17647	10 Mar. ..	28	31 Mar.*
Wyborn, J. V., Hawera, N.Z. Weather-apron of vehicle ..	17702	28 Mar. ..	31	14 April.*
Wyborn, J. V., Hawera, N.Z. Rainproof garment ..	17703	28 Mar. ..	31	14 April.*
Young, W. F., Springfield, U.S.A. Gas-light heater ..	17469	12 Jan. ..	10	4 Feb.

Alphabetical List of Inventions for Quarter ending 31st March, 1904.

THIS list includes also applications lodged prior to but gazetted during the quarter, and complete specifications following provisional specifications accepted and gazetted during the quarter. Where the number and date of the *Gazette* are omitted, the application has not yet been accepted.

* Denotes a provisional specification. † Denotes a prior date under section 106 of "The Patents, Designs, and Trade Marks Act, 1889."

Invention.	Name.	Application.		Gazette.	
		No.	Date.	No.	Date.
Account-book, Loose-leaf ..	T. de Schryver ..	17538	11 Feb. ..	20	3 Mar.*
Accumulator-plate, Electric ..	C. P. Elieson ..	17584	23 Feb. ..	25	18 Mar.
Acetylene-generator ..	A. O. Smith ..	17616	4 Mar. ..	25	18 Mar.*
Acetylene-generator ..	J. Ramage ..	17676	18 Mar. ..	28	21 Mar.*
Adding-machine ..	C. J. Tattam and G. Archer ..	17641	10 Mar. ..	28	31 Mar.*
Advertisements, Displaying ..	O. M. Schoeler ..	17658	11 Mar.
Aerated liquids, Manufacture of ..	H. G. Watson and J. Cummock, jun.	17477	15 Jan. ..	10	4 Feb.*
Aerating apparatus, Liquid- ..	Soda Stream, Limited, and W. Hucks, jun.	17437	7 Jan. ..	10	4 Feb.
Aerator. (See Milk-aerator.)					
Air and dust separator ..	C. Nissen ..	17543	15 Feb. ..	20	3 Mar.
Air-brake ..	W. E. Hughes ..	17560	24 Feb. ..	25	18 Mar.
Air lamp, Carburetted- ..	H. Marshall ..	17511	4 Feb. ..	20	3 Mar.
Alarm. (See Burglar-alarm, Fire-alarm.)					
Alternating-current watt-meter ..	W. E. Hughes ..	17041	30 Sept., 1903	2	7 Jan.
Amusements. (See Games.)					
Animal-cover fastening ..	J. C. Morgan ..	16422	1 June, 1903	25	18 Mar.
Apron for vehicle ..	J. V. Wyborn ..	17702	28 Mar.
Artesian-well sinking ..	T. Danks ..	17435	5 Jan. ..	6	21 Jan.
Artificial foot ..	W. H. Bird ..	17456	12 Jan. ..	10	4 Feb.

ALPHABETICAL LIST OF INVENTIONS—continued.

Invention.	Name.	Application.		Gazette.	
		No.	Date.	No.	Date.
Auger, Earth-	G. Stevenson	16188	4 April, 1903	15	18 Feb.
Axe head and handle	J. Pomeroy	17691	15 Mar.	20	31 Mar.*
Axe-head, Fitting handle to	S. F. Clare	17461	9 Jan.	10	4 Feb.*
Axle and wheel, Railway	W. S. Cobham	17631	8 Mar.	25	18 Mar.*
Axle, Oiling	R. L. Suttie	17589	29 Feb.	14 April.
Bath, Means of lifting invalid into	F. J. Chapman	17580	25 Feb.	25	18 Mar.
Battery, Mercury-feeder for	N. P. Carver	17613	3 Mar.	28	31 Mar.
Bed. (See Swing bed.)					
Bedstead	B. C. Barton	17465	13 Jan.	10	4 Feb.*
Bedstead-wire elevator, &c.	E. J. Restorck	16714	30 July	6	21 Jan.
Beer, Drawing off	J. Dunn	17654	11 Mar.
Beer-tap	J. McLean and P. Ellis	16037	2 Mar.	6	21 Jan.
Belt, Electro-medical	W. C. Crump	16476	11 June, 1903	2	7 Jan.
Belt-fastener	H. Selwood	17622	4 Mar.	25	18 Mar.*
Belting	J. Booth and A. E. Budd	17523	8 Feb.	20	3 Mar.
Belting, Securing ends of	A. M. Chisholm	17722	31 Mar.	31	14 April.*
Bicycle-lock	R. Congreve	16186	4 April, 1903	6	21 Jan.
Bicycle pump	F. G. Rickard	17432	6 Jan.	6	21 Jan.
Bicycle-pump	D. Rowe	17701	26 Mar.	31	14 April.*
Bicycle-support	A. R. Murphy	17498	25 Jan.
Bird-scarer	A. H., A. W., and H. J. Dobbie, and J. E. M. Morley	17439	7 Jan.	6	21 Jan.*
Blindfolding horse	C. V. Jenkins	17655	15 Mar.	28	31 Mar.*
Blind-lath-planing machine	W. C. Gee	17686	22 Mar.	28	31 Mar.*
Blocks. (See Building-block, Head-block, Paving-blocks, Safety-grip block.)					
Boiler and boiler-pan	J. H. Gattsche	16126	25 Mar., 1903	6	21 Jan.
Boiler-furnace	J. M. Harding	17700	23 Mar.
Boiler, Heat circulator for	J. R. Thomson	17508	3 Feb.	20	3 Mar.
Bolting, Apparatus for preventing	T. Betts and G. Perritt	15947	4 Feb.	15	18 Feb.
Bolting preventer, Horse-	J. B. Moroney	16135	25 Mar., 1903	20	3 Mar.
Boot-heel	J. N. Du Feu	16390	26 May	20	3 Mar.
Boot-heel	J. Jenner	17564	24 Feb.	25	18 Mar.
Boot sole and heel protector	F. J. Gane and J. Mitchell	17433	6 Jan.	10	4 Feb.*
Boring-machine	J. T. Blackett	17497	23 Jan.	15	18 Feb.
Bottle-cleaner	F. W. Naumann	17571	25 Feb.	20	3 Mar.
Bottle-sealing device	L. B. Schram	17706	29 Mar.
Box	F. W. Boynton	17569	25 Feb.	25	18 Mar.
Box	F. W. Boynton	17586	29 Feb.	28	31 Mar.
Box	F. W. Boynton	17590	29 Feb.	28	31 Mar.
Box. (See also Butter-box.)					
Box-fastening	W. and G. Vickery and T. Harding	17438	7 Jan.	10	4 Feb.
Brace, Chest-expanding	J. Johnson	17554	19 Feb.	20	3 Mar.*
Brake	T. U. Cooper	17448	7 Jan.	10	4 Feb.*
Brake, Air-	W. E. Hughes	17560	24 Feb.	25	18 Mar.
Brand	A. McLeod	16548	22 June, 1903	25	18 Mar.
Branding-composition	De B. de Lisle and E. V. Luttrell	17464	18 Jan.	15	18 Feb.*
Breeching-strap, Attaching, to vehicle	J. Brake	17629	7 Mar.	25	18 Mar.*
Breeching-strap, Securing, to vehicle	G. T. Adam	17707	28 Mar.	31	14 April*
Brick	A. J. Kingsbeer	16228	15 April, 1903	10	4 Feb.
Brick	E. Eaton	16074	11 Mar., 1903	15	18 Feb.
Brick	E. Eaton	16075	11 Mar., 1903	15	18 Feb.
Brick-drying apparatus	S. Selby	17482	20 Jan.	15	18 Feb.
Brick-making apparatus	E. Eaton	17483	20 Jan.	15	18 Feb.
Broom	S. G. Roseman	17681	21 Mar.	28	31 Mar.*
Broom-handle, Securing, in socket	S. Day	17675	19 Mar.	31	14 April*
Brush. (See Paint-brush.)					
Bucket-dredge attachment	R. Andrew	17612	3 Mar.
Bucket-handle	S. H. Day	17652	14 Mar.
Bucket-handle projection support	W. Harvey	17517	2 Feb.	15	18 Feb.*
Buckle (See Skeith-buckle.)					
Buffer and coupling	J. Thomas	16869	27 Aug., 1903	2	7 Jan.
Buffing-roll	United Shoe Machinery Company	17453	12 Jan.	10	4 Feb.*
Building-construction	G. Claydon	17458	11 Jan.	10	4 Feb.*
Building stone or block	N. Neilsen	17649	11 Mar.	28	31 Mar.*
Bullock-bow key	J. Snowden	17534	8 Feb.	15	18 Feb.*
Burglar-alarm	G. J. Cartwright	17610	3 Mar.
Burglar-alarm	F. J. Farrell	17669	14 Mar.	28	31 Mar.
Burner and heater	A. McLeod	16925	3 Sept., 1903	10	4 Feb.
Bust-support	B. Porter	17617	4 Mar.	25	18 Mar.*
Butter-box	F. C. Baggesen	17726	29 Mar.	31	14 April*
Butter-cutter	T. H. H. Widdicombe	17696	23 Mar.
Cake-tin and steamer	E. A. Allan	17732	31 Mar.	31	14 April*
Cake-tin, Die for	G. H. Clapham and J. L. Barlow	17595	1 Mar.	25	18 Mar.*
Candle-extinguisher	G. Stevenson	16198	6 April, 1903	10	4 Feb.
Candle-extinguisher	C. Hooke	17587	29 Feb.
Carbonated-liquid manufacture	H. G. Watson and J. Cummock, jun.	17477	15 Jan.	10	4 Feb.
Carbonic-acid motor	J. P. Lajoie	17516	2 Feb.
Carbon, Preventing escape in coal	A. H. McCulloch	17390	18 Dec., 1903	20	3 Mar.
Carburetter	W. B. Walters	16726	1 Aug., 1903	31	14 April.
Carburetted-air lamp	H. Marshall	17511	4 Feb.	20	3 Mar.
Cardboard box	F. W. Boynton	17569	25 Feb.	25	18 Mar.

ALPHABETICAL LIST OF INVENTIONS—continued.

Invention.	Name.	Application.		Gazette.	
		No.	Date.	No.	Date.
Cardboard box	F. W. Boynton	17586	29 Feb. ..	28	31 Mar.
Cardboard box	F. W. Boynton	17590	29 Feb. ..	28	31 Mar.
Cart. (See Go-cart.)					
Cattle-food	F. Livingstone	17602	2 Mar. ..	28	31 Mar.
Chain-grate stoker	Babcock and Wilcox (Ltd.), and R. A. McLaren	16538	24 June, 1903	2	7 Jan.
Chair-leg socket	C. Coles	17566	25 Feb. ..	20	3 Mar.*
Chair-seat	N. Wilson, jun., and M. I. Worsley	17647	10 Mar. ..	28	31 Mar.*
Chair, Theatre-	A. M. Conroy	17546	17 Feb. ..	20	3 Mar.*
Chamber utensil	A. G. Mackay	16420	27 May, 1903	25	18 Mar.
Chart	J. Irvin	17536	9 Feb. ..	20	3 Mar.
Chest-expanding brace	J. Johnson	17554	19 Feb. ..	20	3 Mar.
Clarifier	W. Hicks, F. Williams, and W. Barnsdale	16848	25 Aug., 1903	6	21 Jan.
Cleaner. (See Bottle-cleaner, Knife-cleaner, Lamp-glass cleaner.)					
Clothes-cleaning mixture	A. Wilson	17488	20 Jan. ..	10	4 Feb.*
Clothes-iron handle and stand	M. Browne	17693	21 Mar. ..	28	31 Mar.
Clothes-line suspender	C. J. Johnston	17570	25 Feb. ..	20	3 Mar.*
Clothes-peg	H. J. Whitelaw	17555	22 Feb. ..	20	3 Mar.*
Clothes-peg	H. J. Whitelaw	17581	27 Feb. ..	25	18 Mar.*
Clothing. (See Oil-clothing.)					
Coal, Preventing escape of volatile from fixed carbon in	A. H. McCulloch	17390	18 Dec., 1903	20	3 Mar.
Cock	I. and F. A. Whitehouse	17539	11 Feb. ..	20	3 Mar.
Cock-coupling	F. Albrecht	17594	27 Feb. ..	28	31 Mar.
Coiler and spindle for wire-weaving	D. McKenzie	16595	2 July, 1903	28	31 Mar.
Collar	P. R. Sargood	17177	3 Nov., 1903	20	3 Mar.*
Combustible dip	A. Ashcroft	17550	16 Feb. ..	25	18 Mar.
Conveyer and excavator	G. H. Dunlop	17601	2 Mar. ..	28	31 Mar.
Cooking-range protector	E. S. Pike	17544	16 Feb. ..	20	3 Mar.*
Copper-boiler frame	A. C. Wolff and A. Mutch	17634	8 Mar. ..	25	18 Mar.*
Copper-liner	T. Vivian and H. W. de Baugh	17507	19 Feb. ..	20	3 Mar.*
Copying writing, Means of	H. Sanford-Burton	17605	2 Mar. ..	28	31 Mar.
Corset	B. Porter	17617	4 Mar. ..	25	18 Mar.*
Cotton-fibres, Apparatus for separating	F. Wilkinson	16257	22 April, 1903	15	18 Feb.
Couch	W. Hoyland	17512	4 Feb. ..	15	18 Feb.*
Coupling and buffer	J. Thomas	16869	27 Aug., 1903	2	7 Jan.
Coupling-pin	J. M. Bawden and E. H. Catterall	17490	20 Jan. ..	15	18 Feb.
Coupling pipes, &c.	F. Albrecht	17594	27 Feb. ..	28	31 Mar.
Cover. (See Animal-cover, Cooking-range cover.)					
Cow-sucking stopper	W. T. Thompson	17697	24 Mar. ..	31	14 April.
Cricket. (See Table-cricket.)					
Crucible-furnace	The Morgan Crucible Company, Limited	17486	21 Jan. ..	15	18 Feb.
Cuff	I. Hunter	16191	4 April, 1903	20	3 Mar.
Culinary utensil	I. M. Smith	17529	10 Feb. ..	20	3 Mar.
Cultivator and seeder	A. S. Patterson	17611	3 Mar. ..	31	14 April.
Cushion heel	J. N. Du Feu	16390	26 May, 1903	20	3 Mar.
Cutter. (See Butter-cutter, Cutter for reap- ing-machine, Sluice-box clay-cutter, To- bacco-cutter.)					
Cutter for kauri-trees	A. J. McPharlin	16928	8 Sept., 1903	28	31 Mar.
Cutting material into strips, &c.	A. G. Baker	17618	2 Mar.
Cutting rail-groove	C. O. E. Andersson	17481	20 Jan. ..	10	4 Feb.*
Cyanide solutions, Heating	W. H. Davis	17645	10 Mar. ..	28	31 Mar.
Cycle driving and gearing mechanism	A. W. Boon	17423	27 Jan., 1903	10	4 Feb.†
Cycle-lock	R. Congreve	16377	19 May, 1903	25	18 Mar.
Cycle-saddle	T. G. Stevens	17604	2 Mar.
Cycling-gauntlet	E. Saxton	15028	28 Mar., 1903	6	21 Jan.
Cycling-trousers	G. D. Jones	17585	26 Feb. ..	25	18 Mar.
Cylinder for gramophone	A. J. Hutchinson	17674	19 Mar. ..	31	14 April.*
Damper, Flue-	W. Robertson	16560	24 June, 1903	31	14 April.
Defrosting frozen meat	J. Murgatroyd	17582	27 Feb. ..	25	18 Mar.*
Diaphragm for telephone	S. Churchill-Otton	17723	31 Mar.
Die for cake-tin, &c.	G. H. Clapham and J. L. Barlow	17595	1 Mar. ..	25	18 Mar.*
Dip, combustible	A. Ashcroft	17550	16 Feb. ..	25	18 Mar.
Disc plough	J. F. Linke and M. S. Noack	17717	31 Mar.
Displaying pictures, &c.	O. M. Scholer	17658	11 Mar. ..	31	14 April.
Dividing-machine	D. Thomson	16442	4 June, 1903	6	21 Jan.
Door, Dust, draught, &c., excluder for	A. Parker	17507	2 Feb. ..	20	3 Mar.
Door, Dust, draught, &c., excluder for	F. T. Page	17532	10 Feb. ..	25	18 Mar.*
Door, Exit-	J. A. Jagger	17637	9 Mar. ..	28	31 Mar.*
Door, Exit-	J. A. Jagger	17672	18 Mar. ..	28	31 Mar.*
Door-hanger	R. L. Lockerbie	15922	27 Jan., 1903	6	21 Jan.
Door-holder	E. Büllo, W. Edwards, and J. Barraclough	17562	24 Feb. ..	25	18 Mar.
Door, Rain, dust, &c., excluder for	E. A. G. Hamlin	17576	26 Feb. ..	20	3 Mar.*
Draught-excluder and lock for window	A. Parker	17531	10 Feb. ..	15	18 Feb.*
Draught-excluder for door	F. T. Page	17532	10 Feb. ..	25	18 Mar.
Draught-excluder for door	A. Parker	17507	2 Feb. ..	20	3 Mar.
Draught, rain, and dust excluder for doors	E. A. G. Hamlin	17576	26 Feb. ..	20	3 Mar.

ALPHABETICAL LIST OF INVENTIONS—continued.

Invention.	Name.	Application.		Gazette.	
		No.	Date.	No.	Date.
Drawing glass	W. H. Waters	17526	5 Feb. ..	28	31 Mar.
Drawing off beer	J. Dunn	17654	11 Mar.
Drawing off liquid from vessel..	F. W. Smith	17578	26 Feb. ..	20	3 Mar.*
Dredge attachment	R. Andrews	17612	3 Mar.
Dredge-ladder-roller protector..	R. R. Douglas	17729	30 Mar. ..	31	14 April.*
Dredge tumbler	R. R. Douglas	17596	1 Mar. ..	28	31 Mar.
Drill, Lifting and turning	C. Simmons	17521	3 Feb.
Driving and gearing mechanism for cycle driving appliance. (See Grip driving-appliance.)	A. W. Boon	17423	27 Jan., 1903	10	4 Feb.†
Drying apparatus for bricks, &c. ..	S. Selby	17482	20 Jan. ..	15	18 Feb.
Drying-machine	J. A. Merrett	17638	9 Mar.
Duplicating writing, &c., Means of	H. Sanford-Burton ..	17605	2 Mar. ..	28	31 Mar.
Dust and air separator	C. Nissen	17543	15 Feb. ..	20	3 Mar.
Dust-collector	W. Briarly and G. Fraser	17520	3 Feb. ..	15	18 Feb.*
Dust, &c., excluder	A. Parker	17507	2 Feb. ..	20	3 Mar.
Dust, &c., excluder for door	F. T. Page	17532	10 Feb. ..	25	18 Mar.*
Dust, &c., excluder for door	E. A. G. Hamlin	17576	26 Feb. ..	20	3 Mar.*
Earth-auger	G. Stevenson	16188	4 April, 1903	15	18 Feb.
Egg-beater	W. V. Paley and T. H. Bussey	17720	31 Mar.
Electric accumulator-plate	C. P. Elieson	17584	23 Feb. ..	25	18 Mar.
Electrical distribution	W. E. Hughes	17599	2 Mar.
Electrical distribution	W. E. Hughes	17619	5 Mar.
Electricity-meter	B. North	16987	17 Sept., 1903	2	7 Jan.
Electric lamp	G. Sweetser	17662	16 Mar.
Electric starting-gate	S. Austen	17615	4 Mar.
Electro-magnetic separator	R. McKnight	16106	19 Mar., 1903	6	21 Jan.
Electro-medical belt	W. C. Crump	16476	11 June, 1903	2	7 Jan.
Elevator, Ore-	F. J. Courtney	17487	21 Jan.
Elevator, Tailings-	G. Armstrong	17608	27 Feb. ..	25	18 Mar.*
Engine. (See Gas-engine, Fluid-pressure engine, Steam-engine.)					
Engine-silencer	B. Crawford	17527	13 Feb., 1903	25	18 Mar.†
Evening and grading leather	Lacene Manufacturing Company	17609	27 Feb.
Excavator and conveyer	G. H. Dunlop	17601	2 Mar. ..	28	31 Mar.
Exit-door	J. A. Jagger	17637	9 Mar. ..	28	31 Mar.*
Exit-door	J. A. Jagger	17672	18 Mar. ..	28	31 Mar.*
Extinguisher. (See Candle-extinguisher.)					
Extraction of metal from ore	P. J. Ogle and The Rapid Cyanide Treatment, Limited	17561	24 Feb. ..	20	3 Mar.*
Extractor and clarifier	W. Hicks, F. Williams, and W. Barnsdale	16848	25 Aug., 1903	6	21 Jan.
Fastener. (See Belt-fastener, Hat-fastener, Necktie fastener and retainer, Sash-fastener, Window-sash fastener.)					
Fastening. (See Animal-cover fastening, Box-fastening, Legging-fastening, Packing-case fastening.)					
Feeder for material in measured quantities	N. P. Carver	17613	3 Mar. ..	28	31 Mar.
Fencing-dropper	A. Macvean	17553	20 Feb. ..	20	3 Mar.*
Fencing-standard	F. W. Bursill	16464	10 June, 1903	15	18 Feb.
Fencing-standard	W. White	17502	23 Jan. ..	15	18 Feb.*
Fencing-staple	G. Chewings	17501	29 Jan. ..	15	18 Feb.*
Fencing-strainer	J. Woolford	17445	8 Jan.
Fibre-separating apparatus	F. Wilkinson	16257	22 April, 1903	15	18 Feb.
Filter, Water-tank	F. Elvines and T. Hall	17495	25 Jan.
Filter, Water-tank	E. R. Godward	17588	29 Feb. ..	28	31 Mar.
Filtering apparatus, Slime-	H. R. Cassel	17600	2 Mar. ..	25	18 Mar.*
Filtering apparatus, Slime-	G. S. Duncan	17158	29 Oct., 1903	15	18 Feb.
Fire-alarm	J. Fletcher	17505	23 Jan. ..	15	18 Feb.*
Fire-alarm	C. P. Winkelmann	17545	17 Feb. ..	20	3 Mar.*
Fire-alarm telephone attachment	F. J. Farrell	17669	14 Mar. ..	28	31 Mar.*
Fire-escape	W. J. Price	17704	23 Mar.
Fire-igniter	P. Coull	17463	12 Jan. ..	10	4 Feb.*
Fire-lighter	A. Ashcroft	17551	16 Feb. ..	25	18 Mar.
Fire-lighter	F. Stubbs	17493	19 Jan. ..	28	31 Mar.*
Fishing-rod	F. T. Page	17430	5 Jan. ..	6	21 Jan.*
Flax, Apparatus for separating fibres of	F. Wilkinson	16257	22 April, 1903	15	18 Feb.
Flax conveyer and cleaner	D. J. Williams	17699	25 Mar. ..	31	14 April*
Flax dressing and washing	A. Hesse and W. Beissel	17479	14 Jan. ..	10	4 Feb.*
Flax dressing and washing	A. L. J. Tait	17683	22 Mar.
Flax-stripper rollers, Truing up	J. Anderson	17565	24 Feb. ..	25	18 Mar.
Flax-stripping machine	G. Crow	17525	8 Feb. ..	15	18 Feb.*
Fluid-pressure brake	M. Connington	17279	19 Nov., 1903	28	31 Mar.
Fluid pressure turbine	J. P. Campbell	17626/8	7 Mar. ..	13	14 April.
Fly-catcher	J. W. MacCann and J. E. Taylor	17397	19 Dec., 1903	25	18 Mar.
Food for cattle	F. Livingstone	17602	2 Mar. ..	28	31 Mar.
Foot, Artificial	W. H. Bird	17456	12 Jan. ..	10	4 Feb.
Fork. (See Toasting-fork.)					
Frame for copper-boiler	A. C. Wolf and A. Mutch ..	17634	8 Mar. ..	25	18 Mar.*
Frozen meat, Defrosting	J. Murgatroyd	17582	27 Feb. ..	25	18 Mar.
Fuel-economizer	H. E. Leighton	16117	21 Mar., 1903	15	18 Feb.

ALPHABETICAL LIST OF INVENTIONS—*continued.*

Invention.	Name.	Application.		Gazette.	
		No.	Date.	No.	Date.
Furnace	H. E. Leighton	16116	21 Mar., 1903	15	18 Feb.
Furnace	The Morgan Crucible Company, Limited	17486	21 Jan. ..	15	18 Feb.
Furnace-stoker	Babcock and Wilcox, Limited, and R. A. McLaren	16538	24 June, 1903	2	7 Jan.
Furnace, Water-tube	J. M. Harding	17700	23 Mar.
Galvanic plate for boot	R. P. Gibbons	17552	17 Feb. ..	20	3 Mar.
Game	H. Brice	17460	13 Jan. ..	10	4 Feb.*
Game	C. E. S. Scott	17466	14 Jan. ..	15	18 Feb.
Game	W. Wilkinson	17473	11 Jan. ..	15	18 Feb.*
Game	C. H. Waddle and S. White	17478	15 Jan. ..	15	18 Feb.*
Game, Hoops and pegs for	C. E. Warden	17710	26 Mar.
Garment, Rainproof	J. V. Wyborn	17703	23 Mar. ..	31	14 April.*
Gas, Apparatus for charging liquids with	Soda Stream, Limited, and W. Hucks, jun.	17437	7 Jan. ..	10	4 Feb.
Gas-engine	E. Phillips	17573	25 Feb. ..	28	31 Mar.
Gas-engine silencer	B. Crawford	17527	13 Feb., 1903	25	18 Mar.†
Gas-generator	W. H. Brooks	17102	15 Oct., 1903	28	31 Mar.
Gas-generator	W. Lord	17537	11 Feb. ..	15	18 Feb.*
Gas-light heater	W. F. Young	17469	12 Jan. ..	10	4 Feb.
Gate	J. W. Faulkner	17427	24 Dec., 1903	28	31 Mar.
Gauntlet, Cycling-	E. Saxton	15028	23 Mar., 1903	6	21 Jan.
Generator. (See Acetylene-generator.)					
Geographical game	C. E. S. Scott	17466	14 Jan. ..	15	18 Feb.
Gig-seat	A. C. Atkin	16051	2 Mar., 1903	6	21 Jan.
Glass drawing	W. H. Waters	17526	5 Feb. ..	28	31 Mar.
Go-cart	W. Hale	17719	31 Mar.
Gold-saving apparatus	A. T. W. Allan	17632	8 Mar. ..	25	18 Mar.*
Gold-saving apparatus	R. L. Christie	17443	4 Jan. ..	6	21 Jan.*
Gold-saving apparatus	E. Phillips	17470	12 Jan. ..	10	4 Feb.
Goods, Means for increasing saleability of	A. J. Park	16261	17 April, 1903	25	18 Mar.*
Governor, Marine	R. J. W. Grasset	17625	7 Mar. ..	25	18 Mar.*
Gramophone-cylinder	A. J. Hutchinson	17674	19 Mar. ..	31	14 April.*
Grip block. (See Safety-grip block.)					
Grip driving-appliance	W. L. R. Hall	17623	4 Mar. ..	31	14 April
Grooving metal tube	A. L. Watkins	17454	12 Jan. ..	10	4 Feb.
Gum. (See Kauri-gum.)					
Gutter	C. T. Hodges	17504	28 Jan. ..	15	18 Feb.*
Hair-pin	J. Ramsay	17450	11 Jan. ..	6	21 Jan.*
Hair-pin	H. H. McDougall	17698	25 Mar.
Handle. (See Bucket-handle.)					
Handle and stand for clothes-iron	M. Browne	17693	21 Mar. ..	28	31 Mar.
Hat-fastener	J. H. Pomeroy	16236	16 April, 1903	15	18 Feb.
Hat-pin	O. H. Drewet	17542	10 Feb. ..	20	3 Mar.
Hat-pin	J. Luck	17558	20 Feb. ..	20	3 Mar.*
Hay-stacking apparatus	J. Gemmell	17607	27 Feb. ..	25	18 Mar.*
Head block and reach	— Bedgood	17506	1 Feb.
Health-shelter, Paper	A. W. Bickerton	17522	5 Feb. ..	15	18 Feb.*
Heat, Applying, to skin	P. B. Hardy	17484	21 Jan. ..	10	4 Feb.*
Heat-circulator for boiler	J. R. Thomson	17508	3 Feb. ..	20	3 Mar.
Heater	W. F. Young	17469	12 Jan. ..	10	4 Feb.
Heater	A. McLeod	16925	3 Sept., 1903	10	4 Feb.
Heater. (See Water-heater.)					
Heating milk, &c.	W. A. J. Dutch and J. Forsyth	17515	4 Feb. ..	15	18 Feb.*
Heel	J. N. Du Feu	16390	26 May, 1903	20	3 Mar.
Heel	J. Jenner	17564	24 Feb. ..	25	18 Mar.
Heel-attaching machine	United Shoe Machinery Company	17660	16 Mar. ..	28	31 Mar.*
Heel-finishing machine	United Xpedite Finishing Com-pany	16509	18 June, 1903	25	18 Mar.
		16510	18 June, 1903	25	18 Mar.
Heel-nailing machine	H. Briggs	17689	23 Mar. ..	31	14 April.
High-pressure reservoir, Controlling contents of	A. J. L. Eckersley	17721	31 Mar.
Holder. (See Door-holder, Nail-holder, Serviette-holder, Window-holder, Wire-mattress holder.)					
Hook and eye	M. Cowan	17549	16 Feb. ..	20	3 Mar.*
Horse-bolting preventer	T. Betts and G. Pirritt	15947	4 Feb., 1903	15	18 Feb.
Horse-bolting preventer	J. B. Morony	16135	25 Mar., 1903	20	3 Mar.
Horse-cover	W. Trembath	17667	16 Mar. ..	31	14 April.*
Horse, Means of blindfolding	C. V. Jenkins	17655	15 Mar. ..	28	31 Mar.
Horse, Releasing, from vehicle	A. W. Töpffer	17648	11 Mar. ..	31	14 April.
Horse-shoe	F. J. Single	17694	23 Mar. ..	31	14 April.*
Horse-shoe machine	S. G. Dickson	16029	27 Feb., 1903	6	21 Jan.
Horse-shoeing lever	C. H. Lowe	16799	10 Aug., 1903	20	3 Mar.
Horse-stopper	T. Firth	17446	9 Jan. ..	6	21 Jan.*
Hose, Union joint for	D. Worland	17494	22 Jan. ..	15	18 Feb.*
Hot-water shower	F. S. Parker	17434	5 Jan. ..	6	21 Jan.*
Invalid-lifter	F. J. Chapman	17580	25 Feb. ..	25	18 Mar.
Ironsand-treating apparatus	C. F. Lungley	17688	23 Mar. ..	28	31 Mar.*
Irons. (See Clothes-iron.)					

ALPHABETICAL LIST OF INVENTIONS—continued.

Invention.	Name.	Application.		Gazette.	
		No.	Date.	No.	Date.
Jack. (See Lever jack, Standard jack, Wheel-jack.)					
Kauri-gum-chipping implement ..	A. J. McPharlin ..	17577	26 Feb. ..	28	31 Mar.
Kauri-gum receptacle ..	A. J. McPharlin ..	17563	24 Feb. ..	25	18 Mar.
Kauri-gum receptacle ..	A. J. McPharlin ..	17591 17592	29 Feb. ..	25	18 Mar.*
Kauri-tree-cutting implement ..	A. J. McPharlin ..	16928	8 Sept., 1903	28	31 Mar.
Keyboard for music ..	S. W. Thackeray ..	17643	10 Mar. ..	31	14 April.
Key, Bullock-bow ..	J. Snowden ..	17534	8 Feb. ..	15	18 Feb.*
Knife-cleaner ..	C. Wiley ..	17572	25 Feb. ..	25	18 Mar.
Knife-cleaner ..	W. C. Wall and J. T. Toohey ..	17690	23 Mar.
Label attachment ..	S. H. Day ..	17653	14 Mar.
Ladder. (See Dredge-ladder.)					
Lamp ..	H. Marshall and J. Maton ..	17511	4 Feb. ..	20	3 Mar.
Lamp, Electric ..	G. Sweetsor ..	17662	16 Mar.
Lamp-glass cleaner ..	F. W. Naumann ..	17571	25 Feb. ..	20	3 Mar.
Laundry apparatus ..	C. Robertson ..	17440	7 Jan. ..	6	21 Jan.*
Leaf-turner ..	G. F. Moyle ..	17444	5 Jan. ..	6	21 Jan.*
Leather, Evening and grading ..	Lacene Manufacturing Company ..	17609	27 Feb. ..	28	31 Mar.*
Leather-splitting machine ..	United Shoe Machinery Company ..	17661	16 Mar. ..	28	31 Mar.*
Legging-fastening ..	J. T. Maine ..	17624	5 Mar. ..	31	14 April.
Leggings ..	J. Duncan ..	16499	16 June, 1903	20	3 Mar.
Lever for shoeing horse ..	C. H. Lowe ..	16799	10 Aug., 1903	20	3 Mar.
Lever-jack pawl operator ..	B. and W. Trehwella ..	16524	19 June, 1903	25	18 Mar.
Lever, Lifting- ..	J. Scorrar ..	17709	30 Mar. ..	31	14 April.*
Lift. (See Water-lift.)					
Lifting and turning drill ..	C. Simmons ..	17521	3 Feb.
Lifting invalid out of bath ..	F. J. Chapman ..	17580	25 Feb. ..	25	18 Mar.
Lifting-lever ..	J. Scorrar ..	17709	30 Mar. ..	31	14 April.*
Line. (See Clothes-line.)					
Liner for washing-copper, &c. ..	T. Vivian and H. W. de Baugh ..	17557	19 Feb. ..	20	3 Mar.*
Liquid, Drawing off ..	F. W. Smith ..	17578	26 Feb. ..	20	3 Mar.*
Liquids, Aerated, Manufacture of ..	H. G. Watson and J. Cummock, jun. ..	17477	15 Jan. ..	10	4 Feb.*
Liquids, Aerating ..	Soda Stream, Limited, and W. Hucks ..	17437	7 Jan. ..	10	4 Feb.
Lithographic plate ..	F. W. Sears ..	17685	22 Mar. ..	28	31 Mar.*
Lock ..	A. Parker ..	17531	10 Feb. ..	15	18 Feb.
Lock. (See also Bicycle-lock, Cycle-lock, Lock and draught-excluder for window, Sash-hanger and lock, Wheel-lock.)					
Lock, Nut- ..	J. J. Macky ..	17642	5 Mar. ..	28	31 Mar.
Loose-leaf account-book ..	T. de Schryver ..	17538	11 Feb. ..	20	3 Mar.
Lubricator for plough-skeith ..	G. T. Booth ..	16445	5 June, 1903	20	3 Mar.
Lubricator, Windmill- ..	J. O'Neil ..	16290	29 April, 1903	15	18 Feb.
Marine governor ..	R. J. W. Grasset ..	17625	7 Mar. ..	25	18 Mar.*
Mattress ..	E. J. Restorck ..	16714	30 July, 1903	6	21 Jan.
Measuring and weighing milk ..	E. W. Lloyd ..	17725	29 Mar. ..	31	14 April.*
Meat, Defrosting ..	J. Murgatroyd ..	17582	27 Feb. ..	25	18 Mar.
Mercury-feeder for battery ..	N. P. Carver ..	17613	3 Mar. ..	28	31 Mar.
Metals-extraction ..	P. J. Ogle and the Rapid Cyanide Treatment, Limited ..	17561	24 Feb. ..	20	3 Mar.*
Metal tubes, Grooving and necking ..	A. L. Watkins ..	17454	12 Jan. ..	10	4 Feb.
Meter. (See Electricity - meter, Watt-meter.)					
Milk-aerator ..	R. J. Moore ..	17514	4 Feb. ..	15	18 Feb.*
Milk, Heating ..	W. A. J. Dutch and J. Forsyth ..	17515	4 Feb. ..	15	18 Feb.*
Milker ..	F. Ljungstrom ..	17489	20 Jan.
Milking-appliance ..	T. C. Jenkins and W. T. Mack ..	17673	18 Mar. ..	28	31 Mar.*
Milking-machine ..	W. Sim ..	16157	28 Mar., 1903	20	3 Mar.
Milking-machine ..	J. Pomeroy ..	17711	26 Mar. ..	31	14 April.*
Milk, Measuring and weighing ..	E. W. Lloyd ..	17725	29 Mar. ..	31	14 April.*
Milk-weighing machine ..	J. J. Gillies ..	17614	3 Mar. ..	25	18 Mar.*
Minerals, Separation of ..	D. Clark ..	17547	17 Feb. ..	20	3 Mar.*
Mitre-frame arm adjustment ..	C. N. Scurr ..	16306	2 May, 1903	6	21 Jan.
Moon, Chart to illustrate changes of ..	J. Irvin ..	17536	9 Feb. ..	20	3 Mar.*
Motor ..	J. P. Lajoie ..	17516	2 Feb.
Motor. (See also Road motor vehicle, Wave-motor.)					
Motor-car driving and gearing mechanism ..	A. M. Boon ..	17423	27 Jan., 1903	10	4 Feb.†
Motor-driven vehicle ..	C. Bradshaw ..	17597	29 Feb. ..	25	18 Mar.
Moustache-guard for spoon ..	G. G. Sutherland and A. G. Brett ..	17559	23 Feb. ..	20	3 Mar.*
Musical keyboard and notation ..	S. W. Thackeray ..	17643	10 Mar. ..	31	14 April.
Music-leaf turner ..	G. F. Moyle ..	17444	5 Jan. ..	6	21 Jan.*
Music, Printing ..	W. E. Naunton and T. C. Palmer ..	17718	31 Mar. ..	31	14 April.*
Nail-holder ..	H. Coe ..	16434	4 June, 1903	25	18 Mar.
Necktie fastener and retainer ..	J. Hope and W. Butcher ..	17530	10 Feb. ..	20	3 Mar.
Newspaper-folder ..	J. M. Twomey ..	17431	5 Jan. ..	6	21 Jan.*
Nightsoil-pan cover, Securing ..	H. D. Manning ..	17651	12 Mar. ..	28	31 Mar.*

ALPHABETICAL LIST OF INVENTIONS—*continued.*

Invention.	Name.	Application.		Gazette.	
		No.	Date.	No.	Date.
Nightsoil-receptacle	J. Mitchell and G. George	17524	8 Feb. ..	15	18 Feb.*
Nut-lock	J. J. Macky	17642	5 Mar. ..	23	31 Mar.
Oil. (See Shale-oil.)					
Oil-clothing manufacture	R. A. Bradbury	17452	11 Jan. ..	10	4 Feb.*
Oiling axle	R. L. Suttie	17589	29 Feb. ..	31	14 April.
Oleaginous solution	C. V. Potter	16397	28 May, 1903	6	21 Jan.
Ore-feeder grip driver	W. L. R. Hall	17623	4 Mar. ..	31	14 April.
Ore-treatment	M. Moore and T. J. Heskett	16963	9 Sept., 1903	10	4 Feb.
Ornaments. (See Stucco ornaments.)					
Outrigger for vehicle	F. H. Howard	17518	6 Feb. ..	20	3 Mar.
Oyster-plate	J. W. Scully and J. Anthony	17503	30 Jan. ..	15	18 Feb.*
Packing-case fastening	J. Irvine	17684	22 Mar. ..	31	14 April.
Packing piston-rods	R. Brown and A. Blair	17677	18 Mar. ..	28	31 Mar.
Paint-brush	A. L. Watkins	17454	12 Jan. ..	10	4 Feb.
Paint-mixing solution	C. V. Potter	16397	28 May, 1903	6	21 Jan.
Paper health-shelter	A. W. Bickerton	17522	5 Feb. ..	15	18 Feb.*
Pasteuriser for milk, &c.	W. A. J. Dutch and J. Forsyth	17515	4 Feb. ..	15	18 Feb.
Paving-blocks, Applying tar to	C. M. Newson and M. Coulson	15983	11 Feb., 1903	15	18 Feb.
Paving-blocks	W. Powell	17510	4 Feb. ..	20	3 Mar.
Percussive tool	F. D. Johnson	17567	25 Feb. ..	28	31 Mar.
Photographic negative	F. W. Sears	17656	15 Mar. ..	28	31 Mar.
Pictures, Displaying	O. M. Scholer	17658	11 Mar. ..	31	14 April.
Picture-suspending device	W. E. S. Ramsay and S. McMurray	17480	20 Jan. ..	10	4 Feb.
Pin	C. L. August	17492	20 Jan. ..	20	3 Mar.*
Pin. (See also Hair-pin, Hat-pin, Shaft-coupling pin.)					
Pipe-coupling	F. Albrecht	17594	27 Feb. ..	28	31 Mar.
Piston-rod packing	R. Brown and A. Blair	17677	18 Mar. ..	28	31 Mar.
Pitch-chain and sprocket	G. Davidson	16568	29 June, 1903	20	3 Mar.
Planing-machine	W. C. Gee	17686	22 Mar. ..	28	31 Mar.*
Plate. (See Electric accumulator-plate, Lithographic plate)					
Plate for oysters, &c.	J. W. Scully and J. Anthony	17503	30 Jan. ..	15	18 Feb.*
Plough. (See Disc plough.)					
Plough front-wheel lift	G. T. Booth and W. Brew	17664	16 Mar. ..	28	31 Mar.*
Plough, Potato-	G. W. Remnant	16436	4 June, 1903	25	18 Mar.
Plough-skeith lubricator	G. T. Booth	16445	5 June, 1903	20	3 Mar.
Plough-wheel lift	G. T. Booth and W. Brew	17664	15 Mar. ..	28	31 Mar.*
Pneumatic percussive tool	F. D. Johnson	17567	25 Feb. ..	28	31 Mar.
Pneumatic teat-cups	A. Gillies	17639	9 Mar. ..	28	31 Mar.*
Polish. (See Stove-polish.)					
Post. (See Straining-post.)					
Potato-plough	G. W. Remnant	16436	4 June, 1903	25	18 Mar.
Preserving timber	W. Powell	17510	4 Feb. ..	20	3 Mar.
Preserving timber	R. W. Harvey	17678	18 Mar.
Press. (See Wool-press.)					
Printing-block	F. W. Sears	17685	22 Mar. ..	28	31 Mar.
Printing-machine	T. Cossar	15575	30 Oct., 1902	6	21 Jan.
Printing music	W. E. Naunton and T. C. Palmer	17718	31 Mar. ..	31	14 April.*
Printing on photo. negative	F. W. Sears	17656	15 Mar. ..	28	31 Mar.*
Projectile	C. Soulas	17535	11 Feb. ..	15	18 Feb.*
Propeller, Screw	E. V. Dixon	16278	28 April, 1903	15	18 Feb.
Propelling vessel	W. Mizon	17636	9 Mar. ..	25	18 Mar.*
Protector for boot-sole	F. J. Gane and J. Mitchell	17433	6 Jan. ..	10	4 Feb.*
Protector for cooking-range	E. S. Pike	17544	16 Feb. ..	20	3 Mar.*
Pump	A. J. McPharlin and R. S. Goodison	17575	26 Feb. ..	20	3 Mar.*
Pump, Bicycle-	F. G. Rickard	17432	6 Jan. ..	6	21 Jan.
Pump, Bicycle-	D. Rowe	17701	26 Mar. ..	31	14 April.*
Pump, Spear	A. J. McPharlin and R. S. Goodison	17575	25 Feb. ..	25	18 Mar.*
Race, Sheep-	C. Rask and E. A. Cameron	17731	31 Mar.
Railway-sleeper-grooving machine	C. O. E. Andersson	17481	20 Jan. ..	10	4 Feb.*
Railway wheels and axles	W. S. Cobham	17631	8 Mar. ..	25	18 Mar.*
Rainproof garment	J. V. Wyborn	17703	28 Mar. ..	31	14 April.*
Raking material from sluice-box	G. Dennis, jun.	17519	6 Feb. ..	15	18 Feb.*
Range. (See Cooking-range.)					
Reaping-finger	M. Cooney	17533	9 Feb. ..	15	18 Feb.*
Reaping-machine attachment	T. Davies	17459	11 Jan. ..	10	4 Feb.*
Reaping-machine cutting mechanism	F. Butterick	16431	2 June, 1903	25	18 Mar.
Reservoir. (See High pressure.)					
Revolving heel	J. Jenner	17564	24 Feb. ..	25	18 Mar.
Ridging	C. S. Hawkeswood	17541	11 Feb. ..	20	3 Mar.
Road motor vehicle	W. E. Carmont	17598	2 Mar. ..	28	31 Mar.
Road-sweeper	W. Brierly and G. Fraser	17520	3 Feb. ..	15	18 Feb.*
Road-wheel	J. J. Coakley and A. C. McCallum	17603	2 Mar.
Roadster and gig seat	A. C. Atkin	16051	2 Mar., 1903	6	21 Jan.
Roll. (See Buffing-roll.)					
Roller. (See Flax-stripper roller.)					
Roller-protector for dredge-ladder.	R. R. Douglas	17729	30 Mar. ..	31	14 April.*
Roofing-tile	C. S. Hawkeswood	17541	11 Feb. ..	20	3 Mar.*
Runaway horse, Releasing	A. W. Töpffer	17648	11 Mar. ..	31	14 April.

ALPHABETICAL LIST OF INVENTIONS—continued.

Invention.	Name.	Application.		Gazette.	
		No.	Date.	No.	Date.
Saddle, Cycle-	T. G. Stevens	17604	2 Mar.
Safety-grip block	A. V. H. Monro and H. G. W. L. Noy	16413	27 May, 1903	25	18 Mar.
Saleability of goods, Means for increasing Sash. (See Window-sash.)	A. J. Park	16261	17 April, 1903	25	18 Mar.
Sash-balance	C. L. Stokes	16237	16 April, 1903	10	4 Feb.
Sash-fastener	J. Harris	17476	18 Jan.	10	4 Feb.
Sash hanger and lock	G. M. Scott	16582	29 June, 1903	10	4 Feb.
Sash hanger, Door and	R. L. Lockerbie	15922	27 Jan., 1903	6	21 Jan.
Sash-support	J. G. Lodge	16868	27 Aug., 1903	25	18 Mar.
Sawing, Setting off distance for	J. Johnston	17491	20 Jan.	15	18 Feb.
Scraper, Tram-line	J. W. Murdock	17724	29 Mar.	31	14 April.*
Screw propeller	E. V. Dixon	16278	28 April, 1903	15	18 Feb.
Seat. (See Gig-seat, Chair-seat.)					
Seeder	A. S. Patterson	17611	3 Mar.	21	14 April.
Seed sower	W. Lowe	16297	1 May, 1903	15	18 Feb.
Seed-sower	J. Gray	17630	8 Mar.	31	14 April.
Separator. (See Electro-magnetic separator.)					
Serviette-holder	A. H. Brownley and I. S. Fletcher	17457	12 Jan.	20	3 Mar.
Setting off distance for sawing	J. Johnston	17491	20 Jan.	15	18 Feb.*
Shaft-coupling pin	J. M. Bawden and E. H. Catterall	17490	20 Jan.	15	18 Feb.
Shale-oil, Treating	A. Adiasswich	17695	22 Mar.
Sheep-feeding rack, Steerage gear for	F. Cooper	16470	9 June, 1903	20	3 Mar.
Sheep-shears	O. Börs	17644	10 Mar.	28	31 Mar.*
Sheepskins, Treating	A. J. H. Burt	17657	15 Mar.	28	31 Mar.*
Sheep, Travelling-race for	C. Rask and E. A. Cameron	17731	30 Mar.
Ship, Means for controlling speed of	E. Smethurst	17606	1 Mar.	25	18 Mar.*
Ship-retarder	E. Smethurst	17468	13 Jan.	10	4 Feb.*
Shoeing-lever. (See Horse shoeing lever.)					
Shower-bath	R. S. Goodisson and A. J. McPharlin	17593	29 Feb.	25	18 Mar.*
Shower, Hot-water	F. S. Parker	17434	5 Jan.	6	21 Jan.*
Sifting-apparatus	A. G. Parry	17441	7 Jan.	6	21 Jan.*
Silencer, Engine-	B. Crawford	17527	13 Feb., 1903†	25	18 Mar.
Skeith-buckle	G. T. Booth and W. Brew	17665	16 Mar.	28	31 Mar.
Skin, Means of applying heat to	P. B. Hardy	17484	21 Jan.	10	4 Feb.
Skylight	F. C. Griffiths	16383	23 May, 1903	31	14 April.
Skylight	R. F. Smith	17679	18 Mar.	31	14 April.
Sleeper. (See Railway-sleeper.)					
Slime-filtering apparatus	G. S. Duncan	17158	29 Oct., 1903	15	18 Feb.
Slime-filtering apparatus	H. R. Cassel	17600	2 Mar.	25	18 Mar.*
Sluice-box clay-cutter	W. McCorkindale	17540	9 Feb.	15	18 Feb.*
Sluice-box raking-apparatus	G. Dennis, jun.	17519	6 Feb.	15	18 Feb.*
Smoke-consumer	H. E. Leighton	16117	21 Mar., 1903	15	18 Feb.
Smoke-conveyer	W. L. Gale	17455	12 Jan.	10	4 Feb.
Soap, Granulating and moulding	W. E. Hughes	17528	9 Feb.
Socket, Chair- or table-leg	C. Coles	17566	25 Feb.	20	3 Mar.*
Sole laying, levelling, and pressing machine	United Shoe Machinery Company	17663	18 Mar.	28	31 Mar.*
Sower. (See Seed-sower.)					
Spark-arrester	J. Stenhouse	17666	16 Mar.
Spark-arrester	H. S. Wainwright	17713	25 Sept., 1903†
Spark-arrester	H. S. Wainwright	17714	15 Oct., 1903†
Spear pump	A. J. McPharlin and R. S. Goodisson	17575	26 Feb.	25	18 Mar.*
Speed gear	T. W. Barber	17449	8 Jan.	10	4 Feb.
Spindle and coiler, Wire-weaving	D. McKenzie	16595	2 July, 1903	28	31 Mar.
Splitting leather	United Shoe Machinery Company	17661	16 Mar.
Spoon, Moustache-guard for	G. G. Sutherland and A. G. Brett	17559	23 Feb.	20	3 Mar.*
Sprayer	J. W. Andrew	17705	25 Mar.	31	14 April.*
Stacking apparatus, Hay-	J. Gemmell	17607	27 Feb.	25	18 Mar.*
Stamping-machine	R. Wales	17620	4 Mar.	25	18 Mar.*
Stamping-machine	E. Moss	17621			
Stamping-machine	E. Moss	17727	30 Mar.	31	14 April.*
Standard. (See Fencing-standard.)					
Standard jack	E. Hayes	17671	18 Mar.	28	31 Mar.*
Stair-rod	E. L. Bagstrom	17692	22 Mar.	28	31 Mar.
Staple	A. R. Hardy	17730	30 Mar.	31	14 April.*
Staple. (See Fencing-staple.)					
Starting-gate	S. Austen	17615	4 Mar.
Stave, Music-	W. E. Naunton and T. C. Palmer	17718	31 Mar.	31	14 April.*
Steam-engine	G. S. Morison	16232	16 April, 1903	20	3 Mar.
Steam-trap	W. Lee and C. T. Swanell	17659	12 Mar.	28	31 Mar.*
Steerage gear for sheep-feeding rack	F. Cooper	16470	9 June, 1903	20	3 Mar.
Stoker, Chain grate-	Babcock and Wilcox, Limited, and R. A. McLaren	16538	24 June, 1903	2	7 Jan.
Stone, Building-	N. Nielsen and G. Atkinson	17649	11 Mar.	23	31 Mar.*
Stove-polish	W. H. Bowick	17680	21 Mar.	28	31 Mar.*
Strainer. (See Wire-strainer, Fencing-strainer.)					
Straining-post	W. White	17502	29 Jan.	15	18 Feb.
Straw-stacking apparatus	J. Gemmell	17607	27 Feb.	25	18 Mar.
Street-sprinkling solution	C. V. Potter	16397	28 May, 1903	6	21 Jan.
Street-sweeper	J. L. Kirkbride	17556	23 Feb.	20	3 Mar.*

ALPHABETICAL LIST OF INVENTIONS—continued.

Invention.	Name.	Application.		Gazette.	
		No.	Date.	No.	Date.
Stripper. (See Flax-stripper.)					
Stucco-ornament composition ..	C. F. A., E. G., and P. P. Schaefer	17633	8 Mar.	31	14 April.*
Sulphide-separation process ..	D. Clark ..	17547	17 Feb.	20	3 Mar.
Support, Bicycle- ..	A. R. Murphy ..	17498	25 Jan.
Suspender, Trousers- ..	W. T. Nuttall ..	17513	4 Feb.	15	18 Feb.*
Sweeper. (See Road-sweeper, Street-sweeper.)					
Swing bed ..	C. Soulas ..	17451	11 Jan.	10	4 Feb.
Swingletree-iron ..	W. D. Wilson ..	16146	25 Mar., 1903	6	21 Jan.
Table amusements. (See Games.)					
Table-cricket ..	H. Brice ..	17460	13 Jan.	10	4 Feb.
Table-leg socket ..	C. Coles ..	17566	25 Feb.	20	3 Mar.*
Tack-holder ..	H. Coe ..	16434	4 June, 1903	25	18 Mar.
Tailings-elevator ..	G. Armstrong ..	17608	27 Feb.	25	18 Mar.*
Tank-filter ..	E. R. Godward ..	17588	29 Feb.	28	31 Mar.
Tanks, Means for coupling pipes to	F. Albrecht ..	17594	27 Feb.	28	31 Mar.
Tap ..	J. McLean and P. Ellis	16087	2 Mar., 1903	6	21 Jan.
Tap ..	A. Whitney ..	17436	5 Jan.	6	21 Jan.*
Tap-attaching means ..	A. M. S. Watts ..	16288	30 April, 1903	15	18 Feb.
Tap, Union joint for ..	D. Worland ..	17494	22 Jan.	15	18 Feb.*
Tap-valve ..	I. and F. A. Whitehouse	17539	11 Feb.	20	3 Mar.
Tar, Applying, to paving-blocks	C. M. Newson and M. Coulson	15983	11 Feb., 1903	15	18 Feb.
Teat-cups, Pneumatic ..	A. Gillies ..	17639	9 Mar.	28	31 Mar.
Telegraphic and telephonic apparatus	C. Turchi ..	17499	29 Jan.	15	18 Feb.
Telephone-diaphragm ..	S. Churchill-Otton ..	17723	31 Mar.
Telephonic fire-alarm ..	F. J. Farrell ..	17669	14 Mar.	28	31 Mar.
Telescope ..	C. Soulas ..	17496	25 Jan.	10	4 Feb.*
Telluride-separation process ..	D. Clark ..	17547	17 Feb.	20	3 Mar.*
Theatre-chair ..	A. M. Conroy ..	17546	17 Feb.	20	3 Mar.
Theatre-door ..	J. A. Jagger ..	17639	9 Mar.	28	31 Mar.
Theatre-door ..	J. A. Jagger ..	17672	18 Mar.	28	31 Mar.
Therapeutic apparatus ..	A. P. Richmond ..	17640	9 Mar.	28	31 Mar.
Thinner, Turnip, &c. ..	J. Thomson ..	17475	16 Jan.	10	4 Feb.
Tide-illustrating chart ..	J. Irvin ..	17536	9 Feb.	20	3 Mar.
Tides, Means of utilising ..	K. Hiendlmayr ..	17670	14 Mar.	28	31 Mar.*
Tile. (See Roofing-tile.)					
Timber, Preserving ..	W. Powell ..	17510	4 Feb.	20	3 Mar.
Timber, Preserving ..	R. W. Harvey ..	17678	18 Mar.
Tire-cover ..	H. Lightband ..	17548	17 Feb.	20	3 Mar.*
Tire-protector ..	H. J. Whitelaw ..	17712	31 Mar.
Tire, Vehicle-wheel ..	T. P. Lyons ..	17579	26 Feb.	20	3 Mar.*
Toasting-fork ..	T. M. George ..	17583	23 Feb.	31	14 April.*
Tobacco-cutter ..	W. Reeves ..	17429	4 Jan.	6	21 Jan.*
Tobacco-pipe ..	D. G. Sutherland ..	17500	29 Jan.	15	18 Feb.*
Toy ..	K. Davy ..	17650	12 Mar.	28	31 Mar.
Tram-line scraper ..	J. W. Murdock ..	17724	29 Mar.	31	14 April.*
Trap. (See Steam-trap.)					
Tray for oysters, &c. ..	J. W. Scully and J. Anthony	17503	30 Jan.	15	18 Feb.*
Trommel ..	C. L. Garland ..	17568	25 Feb.
Trousers-suspender ..	W. T. Nuttall ..	17513	4 Feb.	15	18 Feb.*
Trousers, Cycling ..	G. D. Jones ..	17585	26 Feb.	25	18 Mar.*
Truing up rollers of flax-stripper	J. Anderson ..	17565	24 Feb.	25	18 Mar.*
Tube grooving and necking ..	A. L. Watkins ..	17454	12 Jan.	10	4 Feb.
Tumbler. (See Dredge-tumbler.)					
Turbine ..	W. E. Hughes ..	17424	30 Dec., 1903	31	14 April.
Turbine ..	C. A. Parsons ..	17687	23 Mar.	31	14 April.
Turbine ..	W. F. Newman ..	17716	31 Mar.	31	14 April.*
Turner. (See Leaf-turner.)					
Turnip-thinner ..	J. Thomson ..	17475	16 Jan.	10	4 Feb.
Twister and strainer for wire ..	G. C. Clarke ..	16410	29 May, 1903	20	3 Mar.
Typographic machine ..	E. Waters, jun. ..	17574	25 Feb.
Umbrella-handle ..	K. Davy ..	17462	9 Jan.
Umbrella-joint ..	J. Hercus and F. W. Barton	17474	12 Jan.
Union joint ..	D. Worland ..	17494	22 Jan.	15	18 Feb.*
Valve ..	I. and F. A. Whitehouse	17539	11 Feb.	20	3 Mar.
Vapour-engine ..	E. Phillips ..	17573	25 Feb.	28	31 Mar.
Vehicle, Motor-driven ..	C. Bradshaw ..	17597	29 Feb.	25	18 Mar.
Vehicle-outrigger ..	F. H. Howard ..	17518	6 Feb.	20	3 Mar.
Vehicle, Releasing runaway from	A. W. Töpffer ..	17648	11 Mar.	31	14 April.
Vehicle weather-apron ..	J. V. Wyborn ..	17702	28 Mar.	31	14 April.*
Vehicle-wheel lock and horse-stopper	T. Firth ..	17446	9 Jan.	6	21 Jan.*
Vehicle-wheel tire ..	T. P. Lyons ..	17579	26 Feb.	20	3 Mar.*
Ventilator ..	F. Hitchcock ..	17682	19 Mar.	28	31 Mar.*
Vessel, Propelling ..	W. Mizon ..	17636	9 Mar.	25	18 Mar.*
Volatile, Prevention of escape ..	A. H. McCulloch ..	17390	18 Dec., 1903	20	3 Mar.
Washing-copper, Liner for ..	T. Vivian and H. W. de Baugh	17557	19 Feb.	20	3 Mar.*
Water-heater ..	J. Key ..	17471	12 Jan.	10	4 Feb.*
Water-heater ..	J. Key ..	17472	12 Jan.	10	4 Feb.*
Water-interceptor and steam-trap	W. Lee and C. T. Swanell	17659	12 Mar.	28	31 Mar.
Water-lift ..	H. McNeil and F. W. Grant	16990	17 Sept., 1903	25	18 Mar.

ALPHABETICAL LIST OF INVENTIONS—continued.

Invention.	Name.	Application.		Gazette.	
		No.	Date.	No.	Date.
Water-purifier	J. W. Mulhare	16471	4 June, 1903	31	14 April.
Water-tank filter	F. Elvines and T. Hall	17495	25 Jan.
Water-tank filter	E. R. Godward	17588	29 Feb.	28	31 Mar.
Water-tube furnace	J. M. Harding	17700	23 Mar.
Watt-meter	W. E. Hughes	17041	30 Sept., 1903	2	7 Jan.
Wave-motor	K. Hiendlmayr	17670	14 Mar.
Weeds, Solution for killing	G. Henderson, jun.	17668	16 Mar.	31	14 April.*
Weighing machine, Milk-	J. J. Gillies	17614	3 Mar.	25	18 Mar.*
Well sinking, Artesian-	T. Danks	17435	5 Jan.	6	21 Jan.*
Well-sinking	J. W. Thomas and C. O. McCutcheon	17467	13 Jan.	10	4 Feb.
Wheel for elevating ores	F. J. Courtney	17487	21 Jan.
Wheel-jack	D. Dunn	17058	2 Oct., 1903	20	3 Mar.
Wheel-lift for ploughs	G. T. Booth and W. Brew	17664	15 Mar.	28	31 Mar.*
Wheel-lock	T. Firth	17446	9 Jan.	6	21 Jan.
Wheel, Road-	J. J. Coakley and A. C. McCallum	17603	2 Mar.
Wheels and axles of railways, &c.	W. S. Cobham	17631	8 Mar.	25	18 Mar.*
Whiffletree	J. T. Prince	17646	10 Mar.	31	14 April.
Windmill-lubricator	J. O'Neil	16290	29 April, 1903	15	18 Feb.
Window	A. Pepler	16447	8 June, 1903	20	3 Mar.
Window-guard	J. W. Faulkner	17427	24 Dec., 1903	28	31 Mar.
Window-holder	H. J. Marks	17485	21 Jan.	10	4 Feb.*
Window-lock and draught-excluder	A. Parker	17531	10 Feb.	15	18 Feb.*
Window-sashes, Means of balancing	C. L. Stokes	16237	16 April, 1903	10	4 Feb.
Window-sash fastener	J. Harris	17476	18 Jan.	10	4 Feb.*
Window-sash hanger	A. Mole	17715	31 Mar.
Window-sash support	J. G. Lodge	16868	27 Aug., 1903	25	18 Mar.
Window-sash suspender and operator	A. J. Park	17447	9 Jan.	6	21 Jan.*
Wire attacher and elevator for bedsteads	E. J. Restorck	16714	30 July, 1903	6	21 Jan.
Wire-mattress holder	N. Hill	17635	5 Mar.
Wire-strainer	T. C. Berry	16896	1 Sept., 1903	25	18 Mar.
Wire-strainer	J. Woolford	17445	8 Jan.
Wire twister and strainer	G. C. Clarke	16410	29 May, 1903	20	3 May.
Wire-weaving coiler and spindle	D. McKenzie	16595	2 July, 1903	28	31 Mar.

List of Applicants for Registration of Trade Marks.

ALPHABETICAL list of applicants for registration of trade marks for quarter ending 31st March, 1904 (including also applications lodged prior to but gazetted during such quarter).

Name.	Address.	Class.	Application.		Gazette.	
			No.	Date.	No.	Date.
Allan and Co. Proprietary, Limited	Melbourne, Vic.	9	4599	10 Mar.	25	18 Mar.
American Seeding Machine Company	Jersey City, U.S.A.	7	4585	25 Feb.	20	3 Mar.
Anderson, W. A.	Vancouver, Canada	42	4631	24 Mar.	28	31 Mar.
Atkins, H.	Cape Town, Cape Colony	42	4516	13 Jan.
Atkins, H.	Cape Town, Cape Colony	42	4517	13 Jan.	6	21 Jan.
Auckland Freezing Company, Limited, The	Auckland, N.Z.	42	4626	22 Mar.	31	14 April.
Australian Manufacturing and Importing Company, The	Wellington, N.Z.	3	4625	21 Mar.	28	31 Mar.
Australian Manufacturing and Importing Company, The	Wellington, N.Z.	3	4628	22 Mar.	28	31 Mar.
Awanui Fish-canning Company, Limited, The	Awanui, N.Z.	42	4391	23 Sept., 1903	28	31 Mar.
Beattie, Lang, and Co.	Wellington, N.Z.	24	4558	8 Feb.	15	18 Feb.
Behrens, C.	Havana, Cuba	45	4575	18 Feb.
Benjamin and Co., A.	London, Eng.	4	4632	24 Mar.	28	31 Mar.
Benjamin and Co., A.	London, Eng.	4	4636	28 Mar.
Bing, Harris, and Co.	Dunedin, N.Z.	38	4633	28 Mar.	28	31 Mar.
Blakey's Boot Protectors, Limited	Leeds, Eng.	13	4539	25 Jan.	20	3 Mar.
Bock and Co., P.	Auckland, N.Z.	3	4476	10 Dec., 1903	20	3 Mar.
Boyd and Son, T.	Christchurch, N.Z.	22	4589, 4590	1 Mar.	25	18 Mar.
Buchanan, J.	London, Eng.; Glasgow, Scot.	43	4151	1 April, 1903	10	4 Feb.
Buchanan and Co., J. (See J. Buchanan.)	Dunedin, N.Z.	50	4567	12 Feb.	20	3 Mar.
Butterworth Bros., New Zealand, Limited	Dunedin, N.Z.	50	4567	12 Feb.	20	3 Mar.
Campbell, W.	Wellington, N.Z.	42	3946	24 Sept., 1902	10	4 Feb.
Carr and Son	New Southgate, Eng.	50	4512	12 Jan.
Chrystall and Co. (See Neill and Co., Limited.)	Auckland, N.Z.	3	4509	11 Jan.	15	18 Feb.
Clarke, W. F.	New Plymouth, N.Z.	42	4611	16 Mar.
Cocker, H.	Auckland, N.Z.	39	4554	4 Feb.	15	18 Feb.

ALPHABETICAL LIST OF APPLICANTS FOR REGISTRATION OF TRADE MARKS—continued.

Name.	Address.	Class.	Application.		Gazette.	
			No.	Date.	No.	Date.
Co-operative Tea-gardens Company. (See R. V. Webster.)						
Craig and Rose, Limited	London, Eng. ; Glasgow and Edinburgh, Scot.	1	4536	21 Jan.	10 31	4 Feb. 14 April.
Dahl, C.	Palmerston North, N.Z.	7	4557	6 Feb.
Deimel Fabric Company, The ..	London, Eng. ..	38	4610	16 Mar.
De Lisle, De B., and another ..	Gisborne, N.Z. ..	2	4608	15 Mar.
Dunlop Pneumatic Tire Company of Australia, Limited	Melbourne, Vic. ..	40	4584	25 Feb.	..	20 3 Mar.
Dunne, J.	North Fitzroy, Vic. ..	44	4579	25 Feb.	..	20 3 Mar.
Edison, T. A.	Llewellyn Park, U.S.A.	8	4562	11 Feb.	..	20 3 Mar.
Falk, Stadelmann, and Co. ..	London, Eng. ..	13	4627	22 Mar.	..	28 31 Mar.
Fotheringham, F. H.	Sydney, N.S.W. ..	6	4540	25 Jan.
Globe Packing Company, The ..	Wellington, N.Z. ..	47	4623	19 Mar.	..	28 31 Mar.
Gollin and Co. Proprietary, Limited ..	Wellington, N.Z. ..	4	4606	11 Mar.	..	25 18 Mar.
Goodlass, Wall, and Co., Limited ..	Liverpool, Eng. ..	1, 4	4580, 1	25 Feb.	..	20 3 Mar.
Goodlass, Wall, and Co., Limited ..	Liverpool, Eng. ..	1, 4	4582, 3	25 Feb.	..	20 3 Mar.
Goodwin and Phelan	Wellington, N.Z. ..	22	4498	30 Dec., 1903	..	25 18 Mar.
Grett, J.	Woolston, N.Z. ..	42	4609	15 Mar.	..	28 31 Mar.
Grove, E.	Palmerston North, N.Z.	42	4510	9 Jan.	..	6 21 Jan.
Hancock and Co.	Auckland, N.Z. ..	43	4565	12 Feb.	..	20 3 Mar.
Hancock and Co.	Auckland, N.Z. ..	43	4566	12 Feb.	..	25 18 Mar.
Hanson, Sir R., Bart.	London, Eng. ..	42	4530	20 Jan.	..	10 4 Feb.
Hanson, Sir R., Bart.	London, Eng. ..	43	4531	20 Jan.	..	10 4 Feb.
Hardie and Co., J.	Melbourne, Vic., and Sydney, N.S.W.	17	4437	4 Nov., 1903	..	28 31 Mar.
Harper and Co. Proprietary, Limited, R.	Melbourne, Vic. ..	42	4535	21 Jan.
Headdey, R. J.	Auckland, N.Z. ..	47	4537	21 Jan.	..	20 3 Mar.
Heather, W. H. N., and another ..	Auckland, N.Z. ..	43	4493	29 Dec., 1903	..	20 3 Mar.
Heather, V. J., and another ..	Auckland, N.Z. ..	43	4493	29 Dec., 1903	..	20 3 Mar.
Heather and Co., W. H. (See W. H. N. and V. J. Heather.)						
Heather, Robertson, and Co. ..	Auckland, N.Z. ..	42	4607	14 Mar.	..	28 31 Mar.
Hill, Hartridge, and Co.	London, Eng. ..	13, 19, 50	4548, 9, 4551	3 Feb.	..	15 18 Feb.*
Hill, Hartridge, and Co.	London, Eng. ..	49	4550	3 Feb.	..	31 14 April.
Hill, Hartridge, and Co.	London, Eng. ..	18	4568	15 Feb.	..	15 18 Feb.
Horlick's Food Company	Racine, U.S.A., and Lon- don, Eng.	42	4593	2 Mar.
Howison and Co.	London, Eng. ..	40	4598	5 Mar.	..	25 18 Mar.
Hurst, R.	Melbourne, Vic. ..	38	4518	15 Jan.	..	6 21 Jan.
Ineson, B.	Palmerston North, N.Z.	42	4560	10 Feb.	..	20 3 Mar.
Jameson, Anderson, and Co. ..	Christchurch, N.Z. ..	42	4613	16 Mar.	..	28 31 Mar.
Jeyes' Sanitary Compounds Company, Limited	London, Eng. ..	2, 3	4591, 2	2 Mar.	..	25 18 Mar.
Kenderdine, A. G.	Auckland, N.Z. ..	3	4577	22 Feb.	..	20 3 Mar.
Kress and Owen Company	New York, U.S.A. ..	3	4513	13 Jan.	..	6 21 Jan.
Kress and Owen Company	New York, U.S.A. ..	11	4514	13 Jan.	..	25 18 Mar.
Kynoch, Limited	Witton, Eng. ..	19, 20	4596, 7	5 Mar.	..	25 18 Mar.
Lever Bros., Limited	Balmain, N.S.W. ..	47, 48	4504, 5	7 Jan.	..	6 21 Jan.
Lever Bros., Limited	Balmain, N.S.W. ..	47, 48	4506, 7	7 Jan.	..	6 21 Jan.
Levi Strauss and Co.	San Francisco, U.S.A. ..	38	4555	4 Feb.	..	15 18 Feb.
Lewis, W.	Sydney, N.S.W. ..	48	4600	10 Mar.	..	25 18 Mar.
Lisle. (See de Lisle.)						
Luttrell, E. V., and another ..	Gisborne	2	4608	15 Mar.
Lysaght, J., Limited	Bristol, Eng. ..	5	4520	18 Jan.	..	10 4 Feb.
MacLulich, J. M.	Paddington, Eng. ..	40	4635	28 Mar.	..	28 31 Mar.
Marechal Ruchon and Co., Limited ..	London, Eng. ..	50	4612	18 Mar.	..	28 31 Mar.
Marshall's Chemical Company, Limited	Dunedin, N.Z. ..	42	4641	31 Mar.
Mason, W. J.	Pahiatua, N.Z. ..	3	4576	18 Feb.	..	25 18 Mar.
McLeod Bros., Limited	Dunedin, N.Z. ..	47	4563	11 Feb.	..	31 14 April.
McLeod Bros., Limited	Dunedin, N.Z. ..	48	4564	11 Feb. 18 Feb.
Mélotte, J.	Remicourt, Belgium ..	7	4515	13 Jan.
Midgley, A. W.	Leeds, Eng. ..	38	4503	7 Jan.	..	6 21 Jan.
Midgley and Sons, S. T. (See A. W. Midgley.)						
Midgley and Sons, Limited, S. T. ..	Leeds, Eng. ..	38	4614	18 Mar.
Moonee Valley Cordial Company, The (See J. Dunne.)						
Morgan Crucible Company, Limited, The	London, Eng. ..	50	4556	4 Feb.	..	15 18 Feb.
Munday, W. E.	Sydenham, N.Z. ..	38	4587	27 Feb.	..	20 3 Mar.
Munday and Sons, W. E. (See W. E. Munday.)						
Neill and Co., Limited	Christchurch, N.Z. ..	50	4534	20 Jan.	..	10 4 Feb.

ALPHABETICAL LIST OF APPLICANTS FOR REGISTRATION OF TRADE MARKS—continued.

Name.	Address.	Class.	Application.		Gazette.	
			No.	Date.	No.	Date.
Pacific Hardware and Steel Company, The	San Francisco, U.S.A. . .	6	4640	31 Mar.
Pascall, Limited, J. . .	London, Eng. . .	42	4573	17 Feb.	..	25 18 Mar.
Pascall, Limited, J. . .	London, Eng. . .	42	4624	19 Mar.
Paterson and Sons, R. . .	Glasgow, Scot. . .	42	4511	12 Jan.	..	6 21 Jan.
Pearson and Rutter, Limited	New Plymouth, N.Z. . .	42	4637	29 Mar.	..	31 14 April.
Pope Manufacturing Company	New York, U.S.A. . .	22	4525, 6, 7, 8, 9	20 Jan.
Poynter, J., Son, and Macdonalds	Glasgow, Scot. . .	42	4586	27 Feb.	..	20 3 Mar.
Price and Co., Limited, H.	Wellington, N.Z. . .	42	4499, 4500, 4501, 2	5 Jan.	..	6 21 Jan.
Prunier and Co., J. . .	Melbourne, Vic. . .	43	4639	31 Mar.	..	31 14 April.
Reckitt and Sons, Limited	Sydney, N.S.W. ; Hull and London, Eng. ; Port Elizabeth, South Africa ; and New York, U.S.A.	47	4543	27 Jan.	..	10 4 Feb.
Reuss and Co. . .	Sheffield, Eng. . .	12	4634	28 Mar.	..	31 14 April.
Rodgers and Sons, Limited, J.	Sheffield, Eng. . .	12, 14	4545, 6	30 Jan.	..	10 4 Feb.
Ross and Son, W. . .	Napier, N.Z. . .	50	4522, 3, 4	19 Jan.	..	15 18 Feb.
Ross and Son, W. . .	Napier, N.Z. . .	50	4524
Row and Co., E. . .	Sydney, N.S.W. . .	2	4569	17 Feb.	..	20 3 Mar.
Row and Co., E. . .	Sydney, N.S.W. . .	2	4570, 1, 2	17 Feb.	..	31 14 April.
Row and Co., E. . .	Sydney, N.S.W. . .	3	4601	10 Mar.	..	28 31 Mar.
Row and Co., E. . .	Sydney, N.S.W. . .	3	4602, 3, 4	10 Mar.	..	31 14 April.
Ruchon and Co., Limited, M.	London, Eng. . .	50	4612	18 Mar.	..	28 31 Mar.
Sapon, Limited . .	London, Eng. . .	47	4542	27 Jan.
Sargood, Son, and Ewen . .	New Zealand . .	38	4519	16 Jan.	..	6 21 Jan.
Sargood, Son, and Ewen . .	Auckland, N.Z. . .	35	4578	23 Feb.	..	25 18 Mar.
Sargood, Son, and Ewen . .	Wellington, N.Z. . .	38	4638	29 Mar.	..	31 14 April.
Sharpe and Co., T. A. . .	Wellington, N.Z. . .	2, 3	4629, 4630	23 Mar.	..	28 31 Mar.
Snedden, W. . .	Dunedin, N.Z. . .	13	4547	2 Feb.
Staples and Co., W. and J.	Wellington, N.Z. . .	38	4553	4 Feb.	..	25 18 Mar.
Strauss and Co., Levi . .	San Francisco, U.S.A. . .	38	4555	4 Feb.	..	15 18 Feb.
Taeschner, F. A. . .	Berlin, Germany . .	3	4544	28 Jan.	..	28 31 Mar.
Thomsen, W. A. . .	Rotorua, N.Z. . .	50	4363	3 Sept., 1903	..	10 4 Feb.
Tobacco Warehousing and Trading Company (Incorporated), The	Danville, U.S.A. . .	2	4574	17 Feb.	..	20 3 Mar.
Trent Bros. . .	Christchurch, N.Z. . .	42	4532, 3	20 Jan.	..	10 4 Feb.
Tully, C. J. . .	Greytown North, N.Z. . .	37	4541	25 Jan.
Turnbull and Co., W. and G.	Wellington, N.Z. . .	50	4521	18 Jan.	..	25 18 Mar.
Webster, R. V. . .	Colombo, Ceylon . .	42	4508	9 Jan.	..	6 21 Jan.
Whittingham, W. . .	Auckland, N.Z. . .	42	4552	3 Feb.
Whittingham, W. . .	Auckland, N.Z. . .	42	4588	29 Feb.
Williams Company (Incorporated), T. C.	New York, U.S.A. . .	45	4594, 5	3 Mar.	..	25 18 Mar.
Wilson and Co., Limited, J.	Auckland, N.Z. . .	17	4538	23 Jan.	..	15 18 Feb.
Wilton, G. W. . .	Wellington, N.Z. . .	3	4559	8 Feb.	..	20 3 Mar.
Wolf and Sohn, F. . .	Karlsruhe, Germany . .	48	4617, 8	18 Mar.	..	28 31 Mar.
Wolf and Sohn, F. . .	Karlsruhe, Germany . .	48	4620, 2	18 Mar.
Wylie, S. . .	Sydney, N.S.W. . .	3	4615, 6	10 March	..	25 18 Mar.
Zohrab and Co. . .	Wellington, N.Z. . .	42	4619, 4621	10 Feb.	..	15 18 Feb.

List of Applicants for Registration of Designs.

ALPHABETICAL list of applicants for registration of designs during quarter ending 31st March, 1904.

Name and Address.	No. of Class.	Design.		Gazette.	
		No.	Date.	No.	Date.
Sargood, Son, and Ewen, Auckland, N.Z. . .	8	202	23 Feb.	20	3 Mar.
Shacklock, Limited, H. E., Dunedin, N.Z. . .	1	199	28 Jan.	10	4 Feb.
		200			
		201			

